



IMPORTANT



Be Sure
to Read this
Manual
Before Use



UNIS TECHNOLOGY

NOTE: Some portions of assembly may require additional assistance.

Operation Manual

WE ARE HERE TO ASSIST For parts and service




Have Questions? Contact us!

<p>UNIS SERVICE CENTER</p> <p>Tel: 972-241-4263</p> <p>Email: service@unispartsandservice.com</p> <p>www.unispartsandservice.com</p>

When contacting Service, you will need the following information and the name of your authorized distributor.

Suitable for Indoor Use Only	
NAME: Emoji Frenzy D&B	POWER: 450W—630W
MODEL: C-758	FREQUENCY: 60Hz
VOLTAGE: AC110V ~	DATE:
S/N:	
Guangdong UNIS Technology Co.,Ltd.	
FOR YOUR SAFETY – READ OPERATION MANUAL BEFORE SERVICING – INDOOR USE ONLY	
Pour des raisons de sécurité, lisez le manuel d'utilisation avant de procéder à l'entretien.	
Utilisation Intérieure seulement	



CONTENT

IMPORTANT SAFETY INSTRUCTIONS.....	3
1. SPECIFICATIONS.....	5
2. CONTENTS OF THE ACCESSORY KIT.....	6
3. PART NAME.....	7
4. SET UP & INSTALLATION.....	8
5. HOW TO PLAY.....	18
6. GAME OPTION.....	19
7. TROUBLESHOOTING.....	25
8. MAINTENANCE & INSPECTION.....	28
9. OVERALL CONSTRUCTION.....	36
10. WIRING DIAGRAM.....	79

Thank you for purchasing **Emoji Frenzy D&B**. We hope you enjoy the product.

This manual contains valuable information about how to operate and maintain your game machine properly and safely. It is intended for the owner and/or personnel in charge of product operation. Carefully read and understand the instructions.

If you need any help during installation and setup please utilize this manual and troubleshooting guide. If the product fails to function properly, *non-technical personnel should under no circumstance attempt to service the machine*. Contact your distributor or manufacturer for help.

Before use, please read **IMPORTANT SAFETY INSTRUCTIONS**.

IMPORTANT SAFETY INSTRUCTIONS

To ensure the safe usage of this product, carefully read and understand these instructions before operating your game.

Save these instructions for future reference.

Use this product only as described in this manual. Other uses not recommended may cause fire, electric shock or personal injury. Unplug the game from the outlet when not in use, when moving from one location to another, and before cleaning/servicing.

Explanations which require special attention are indicated by signs of warning. Depending on the potential hazardous degree, the terms: **NOTE**, **NOTICE**, and **WARNING** are used.

NOTE: A NOTE indicates useful hints or information about product usage.

NOTICE: A NOTICE indicates potential damage to product and how to avoid the problem.

WARNING: A WARNING indicates a potential for product damage or serious personal injury.

It is important to understand the meaning of the following HAZARD SIGNS before continuing:

High Voltage and Shock Hazard:

High voltage can cause electric shock.
Turn off/unplug power before servicing.



High Temperature Hazard:

This part may cause scalding.
Do not touch. Surface may be hot.



No Touching Hazard:

This part may be hot or can cause electric shock.
Do not touch.



Use the following safety guidelines to help ensure your own personal safety and to help protect your equipment and surrounding environment from potential damage.

⚠️ This product is an indoor game machine. Do not install outdoors.

Avoid installing in the following places to prevent fire, electric shock, injury and/or machine malfunctioning:

- Places subject to rain/moisture, or places subject to high humidity.
- Places subject to direct sunlight, or places subject to extremely hot or cold temperatures to ensure that it is used within the specified operating range.
- Places where inflammable gas may be present or in the vicinity of highly inflammable/volatile chemicals or items that can easily catch fire.
- On unstable or sloped surfaces. The machine may topple or cause unforeseen accidents.
- Vicinity of fire exits, fire extinguishers etc that may block/prevent safety measures.

IMPORTANT NOTE:

ALL REPAIRS MUST BE DONE TO ORIGINAL MANUFACTURER SPECIFICATIONS. FAILURE TO DO SO VOID ALL WARRANTIES AND OPERATOR ASSUMES ALL RISKS.

Note: The contents of this manual may be updated without notice.

1. SPECIFICATIONS

Rated power supply: AC110V 50/60Hz;

Min. Power consumption: 450W

Max. Power consumption: 630W


Dimension: H110.93×W59.05×D59.05 in

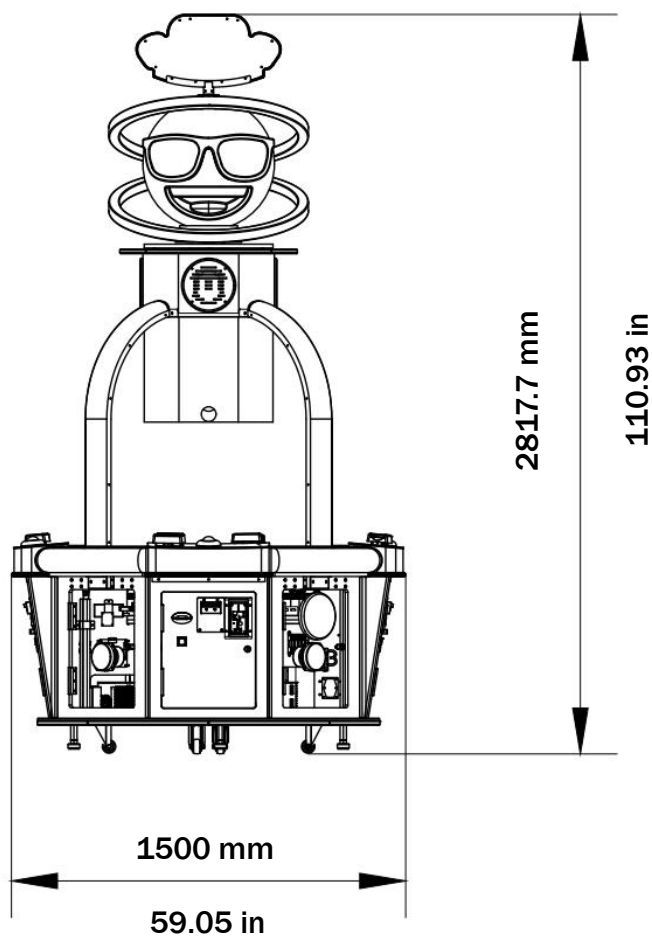
H2817.7×W1500 ×D1500 mm

Weight: Approximately 617.29 lb/280 KG

Part No.: E120

Model No.: C-758

 **NOTICE** : After turning off the game, please wait at least 1 minute before restarting again.












Note: Game specifications are subject to change without notice.

2. CONTENTS OF THE ACCESSORY KIT

Open the package and make sure all the items are included:

Following accessories

No.	Part No.	Code No.	Name/SPEC	Picture	Qty
1	E120-1701-00	2.33.01.010020	Power cord 3×16AWG 1.8M		1
2	E120-1702-00	2.19.01.000013	Fuse Φ5×20 T10A/250V		2
3	E120-1703-00	2.53.00171002	171A key		3
4	E120-1704-00	4.14.40000629	Manual		1
5	E120-1705-00	2.15.03.000055	Optoelectronic switch FG-IT1180FL		1
6	E120-1706-00	4.10.04000097	Emoji balls		200
7	E120-1109-00	201.01.900257	Hexagon screws M5×10		45
8	E120-0023-00	201.01.100041	Cross recessed pan head screw set M5×12		3
9	E120-1707-00	297.9.2112002	Reflect sensor IR-RT1.PCB V1.0		1

NOTE: Part models are subject to change without notice.

3. PART NAME

Key Components



4. SET UP & INSTALLATION

⚠️ NOTICE

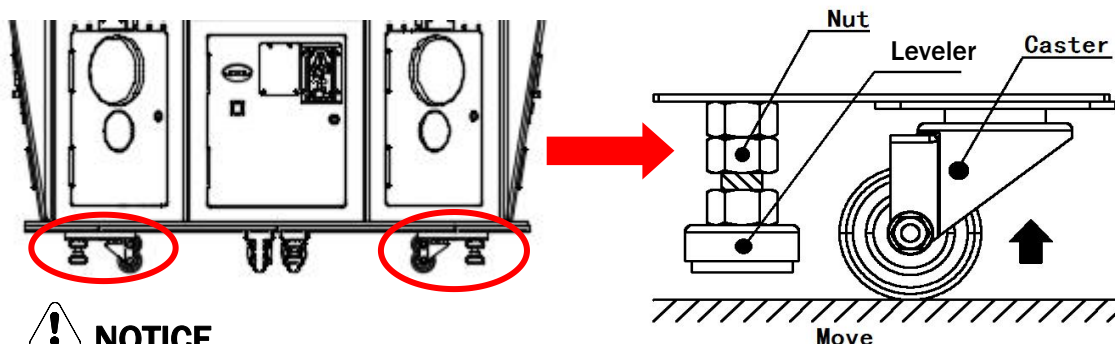
We do not recommend using power tools as they may cause damage.

⚠️ This product is an indoor game machine. Do not install outdoors.

- Refer to IMPORTANT SAFETY INSTRUCTIONS (Pg. 3) for places to avoid.
- Place the unit on a dry level surface.
- Ventilation openings in the back of the unit must not be obstructed by objects or by wall.

4.1 Transporting the Game

If you need to move the game, adjust the levelers back to an “up” position.



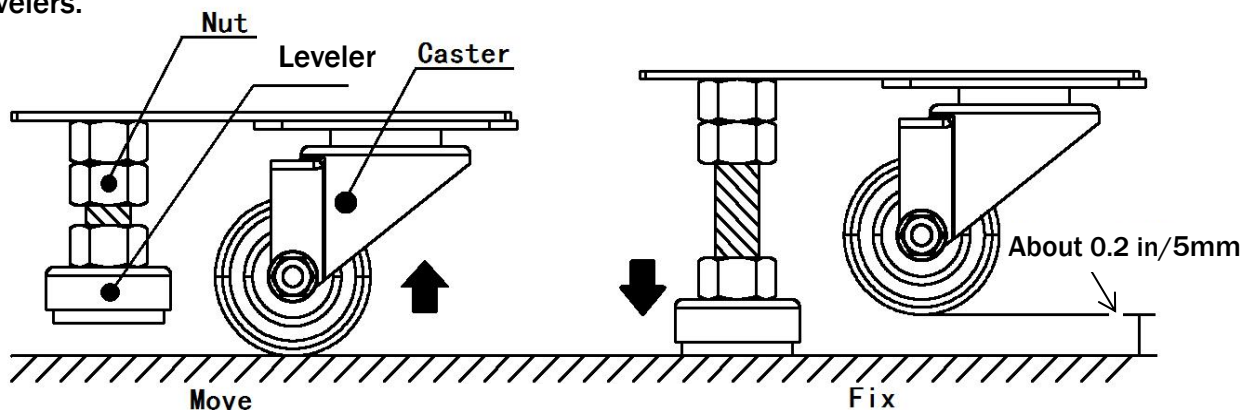
⚠️ NOTICE

- Be careful not to damage the machine during transport.
- Always unplug the game before moving.
- Keep the machine in upright position during transport.
- For longer distance transport, package the game properly to prevent damages.

4.2 Level Adjustment

Install this game on a flat surface. If the game is installed on an unsuitable floor, it could cause game malfunction.

To secure the game, loosen the nut, utilize wrench to adjust the leveler down until it touches the floor, lifting the casters off the ground by 0.2 in/5mm. Repeat the same for all levelers.



⚠️ NOTICE

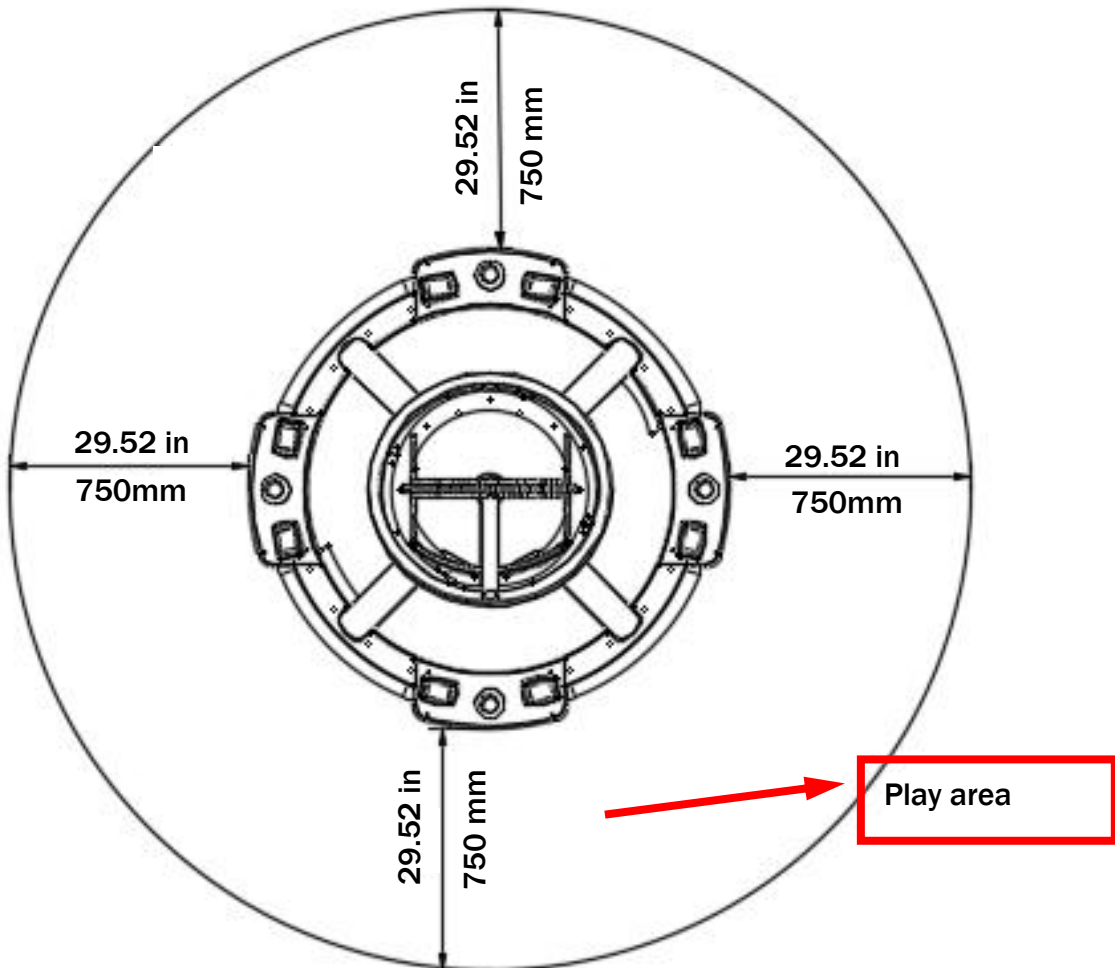
Make sure the machine is level.

4.3 Play Zone

This machine requires space for playing and for maintenance as shown below.

Leave space around the game upon installation:

Play area: 29.52 in/750mm



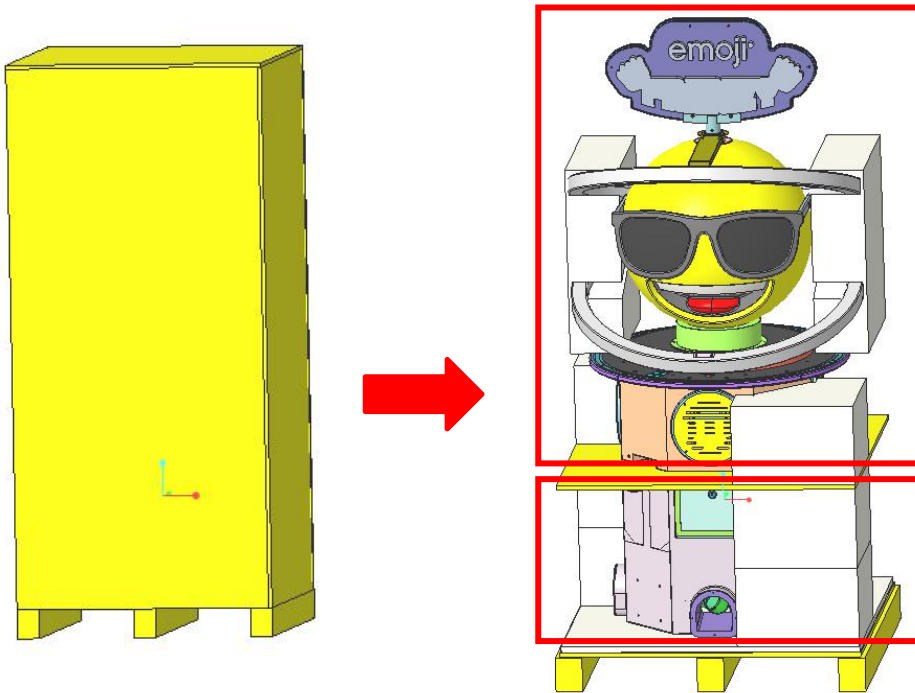
NOTICE

Your unit must be leveled to operate properly.

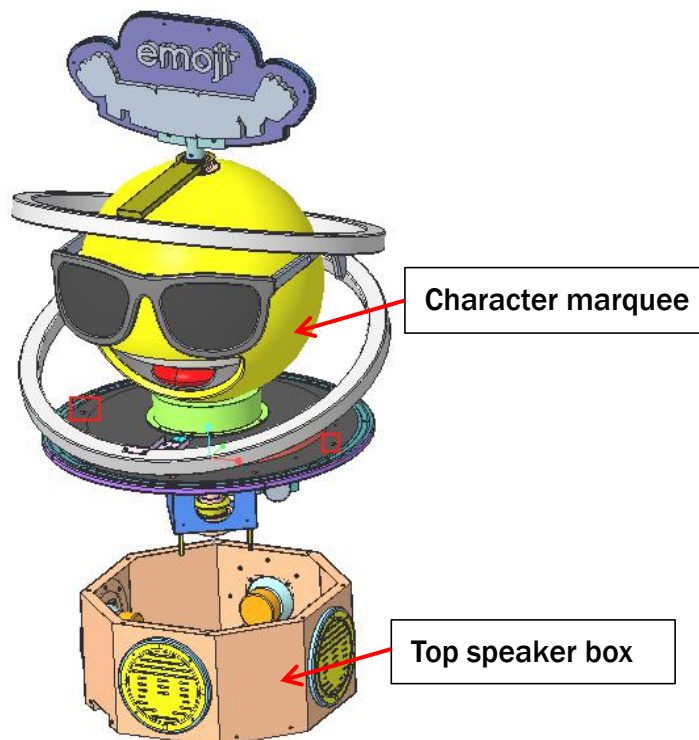
4.4 Machine Installation

Step 1 Remove Marquee Packing. Only lift the black board when taking out the marquee.
Do not lift two circle acrylic plastic.

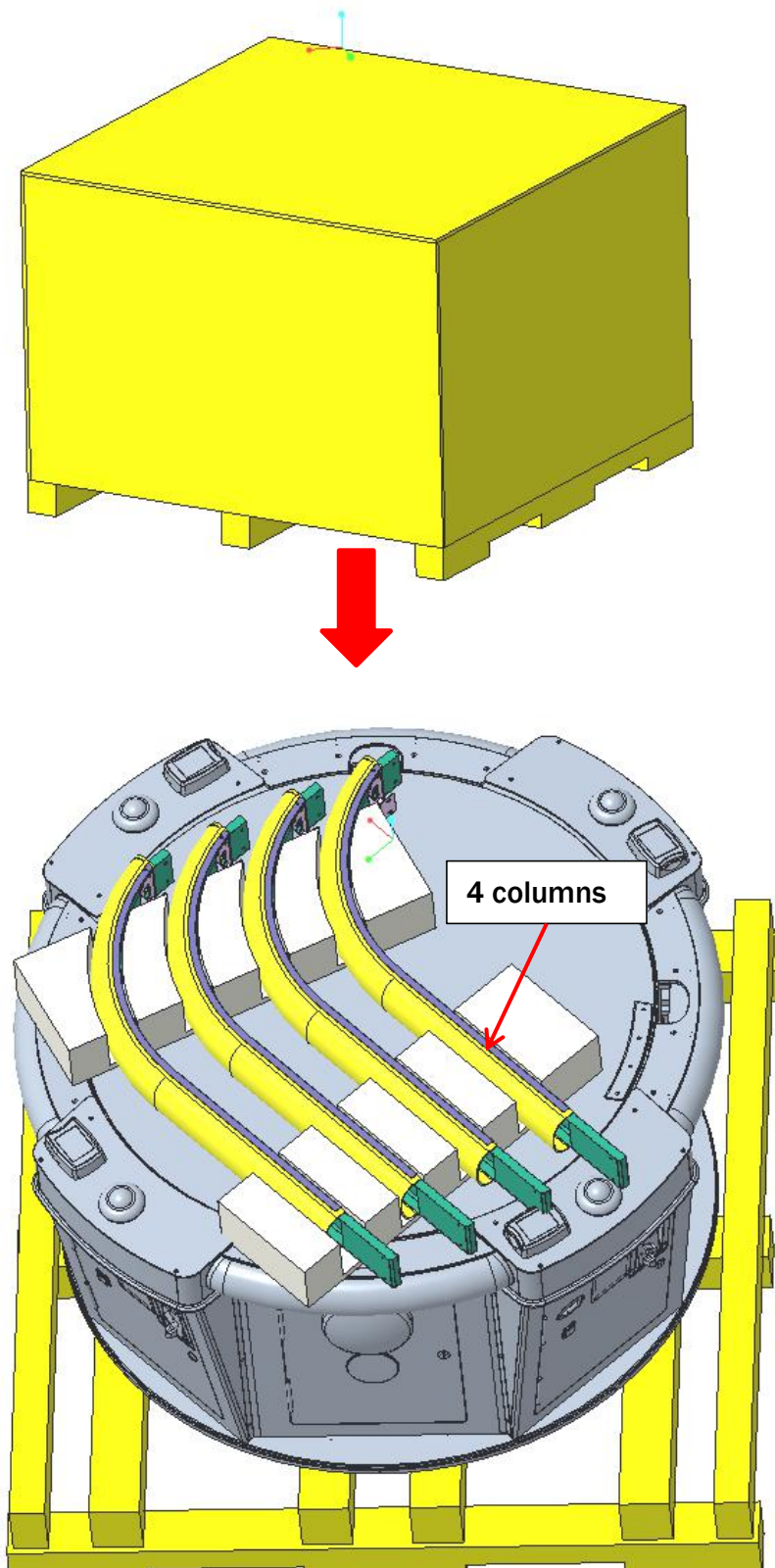
Step 2 Remove Hopper.



Step 3 Locate Character marquee assembly. Loosen screws to remove Character marquee.



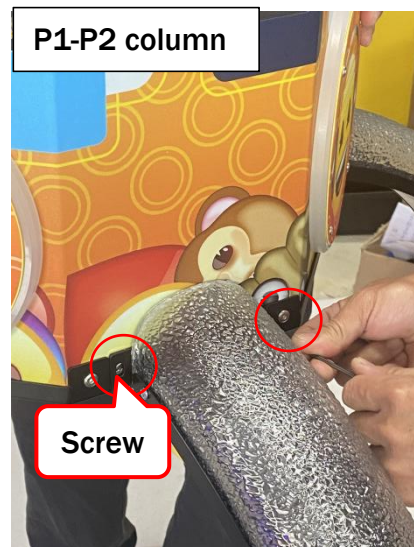
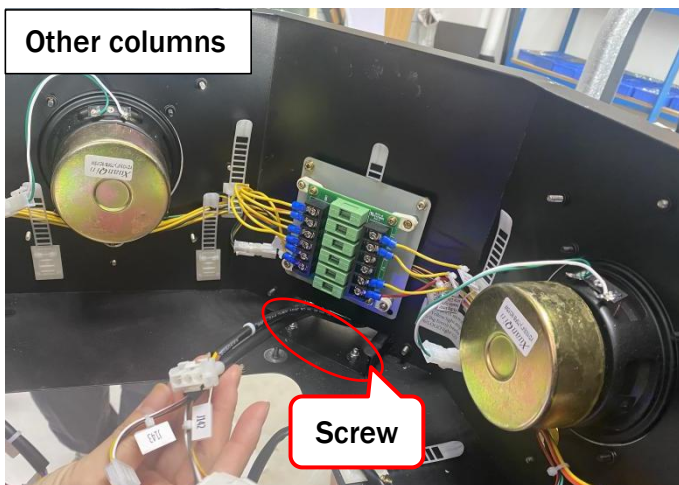
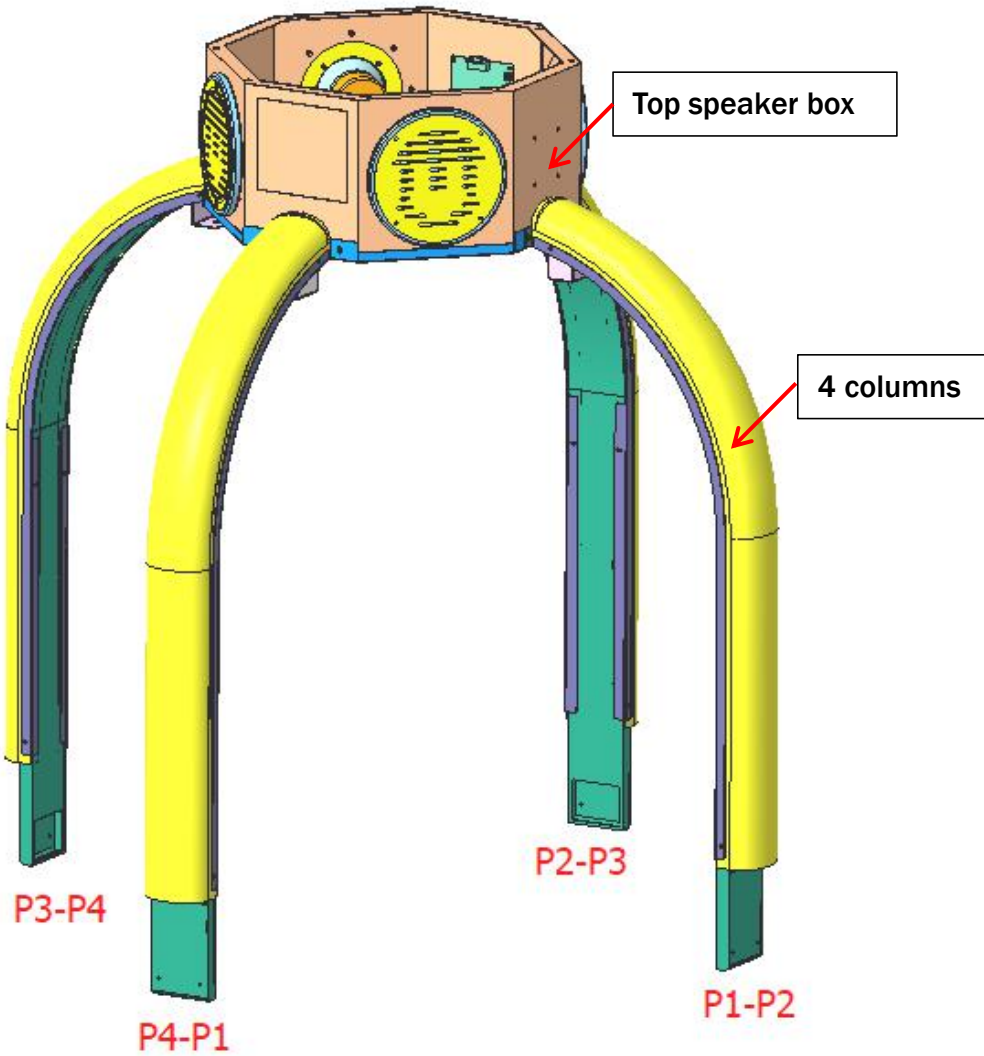
Step 4 Remove Base packing. Take out 4 columns. Open P1 coin box and take screws and metal plate out.



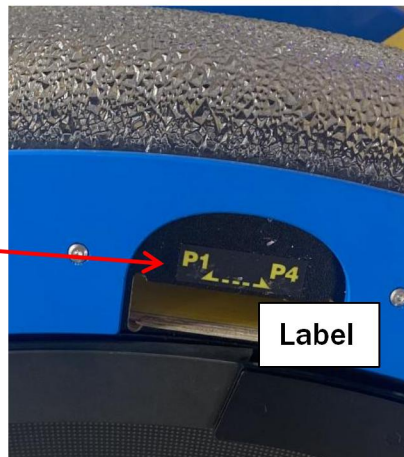
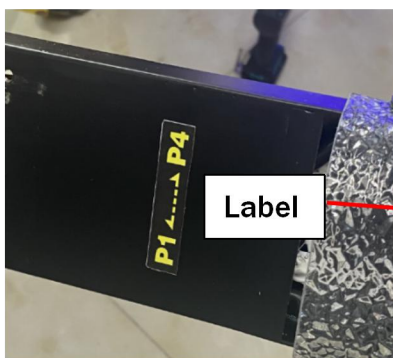
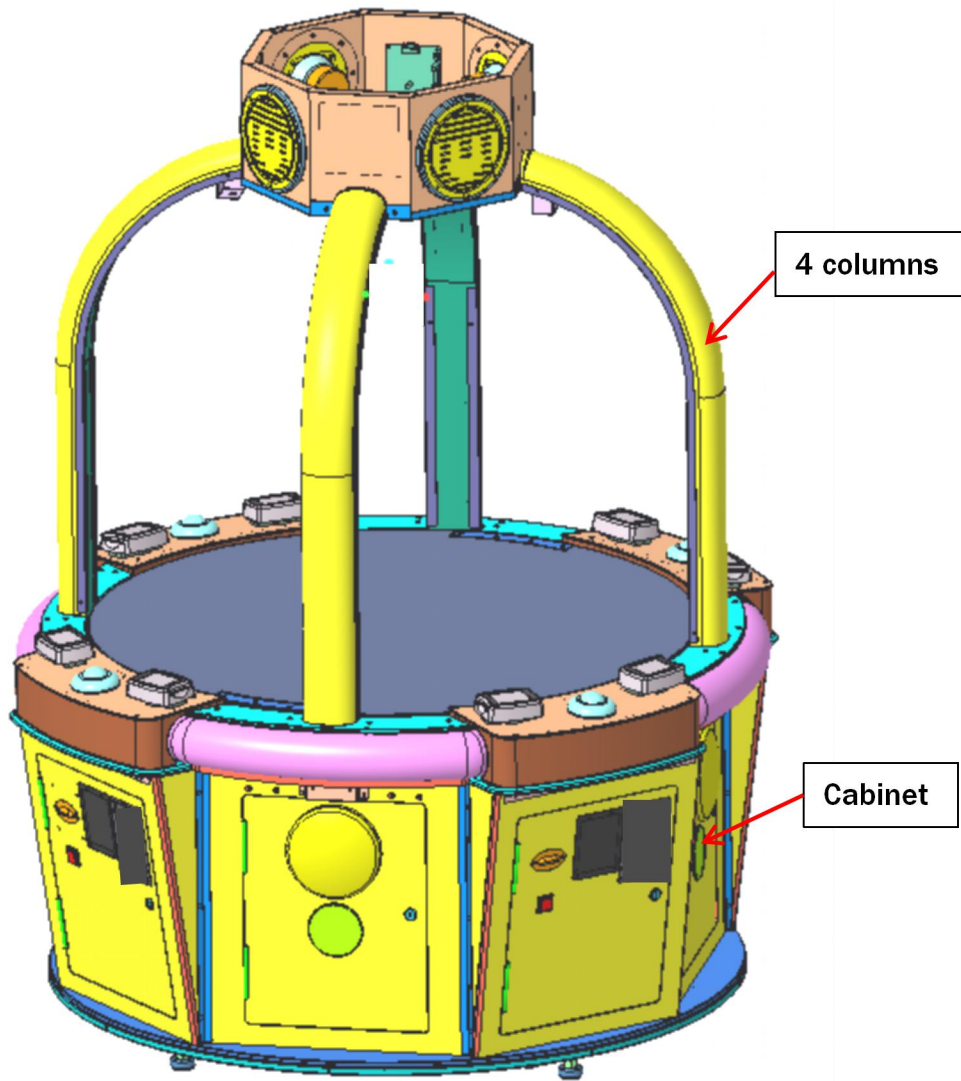
Step 5 Open Top speaker box bottom board. Install 4 columns to the Top speaker box according to the labels.

Utilize hexagon screws(M5×10) to secure. Connect the connectors.

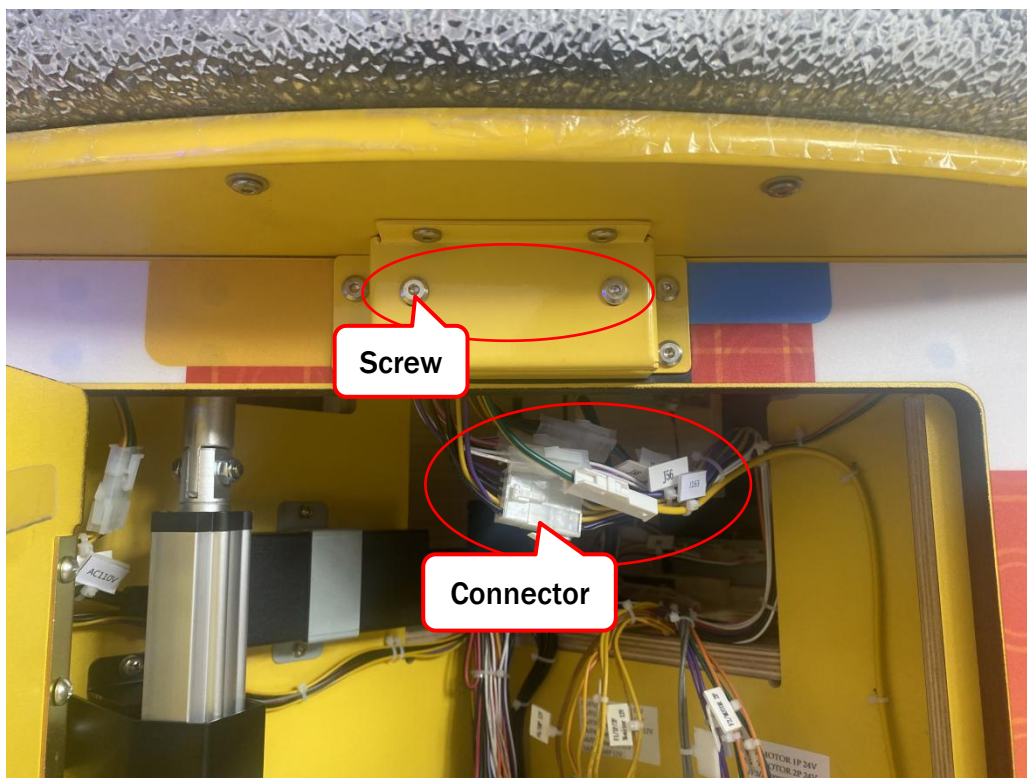
Note:P1-P2 column(without connectors) screws need to be secured on the outside.



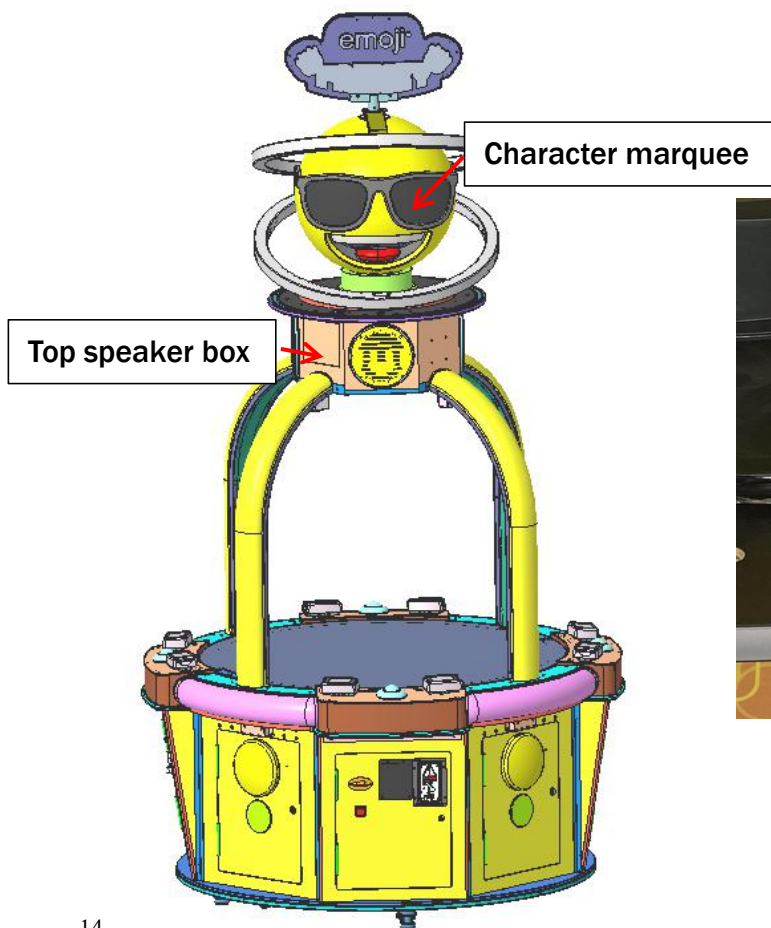
Step 6 Install Column to the cabinet according to the labels.



Step 7 Open speaker door. Connect the column connectors. Utilize hexagon screws(M5×10) to secure.



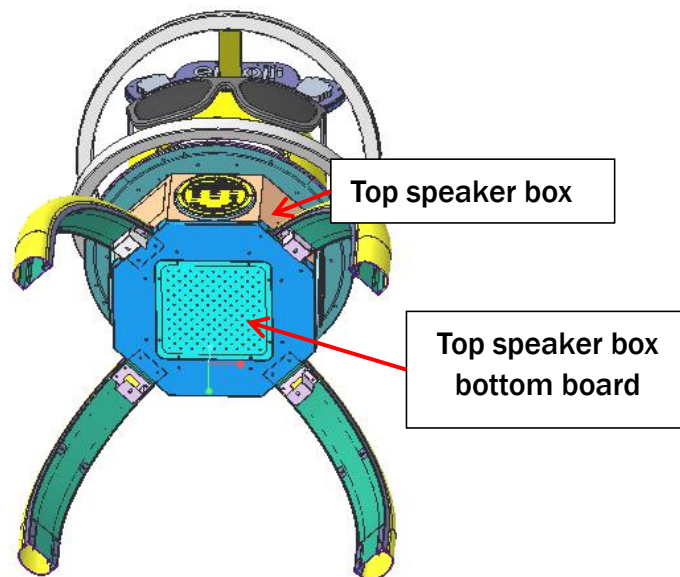
Step 8 Install Character marquee back to the top speaker box.
Note: Mind the arrow direction. (Arrow direction is P1 position.)



Step 9 Connect all the connectors on the top speaker box.

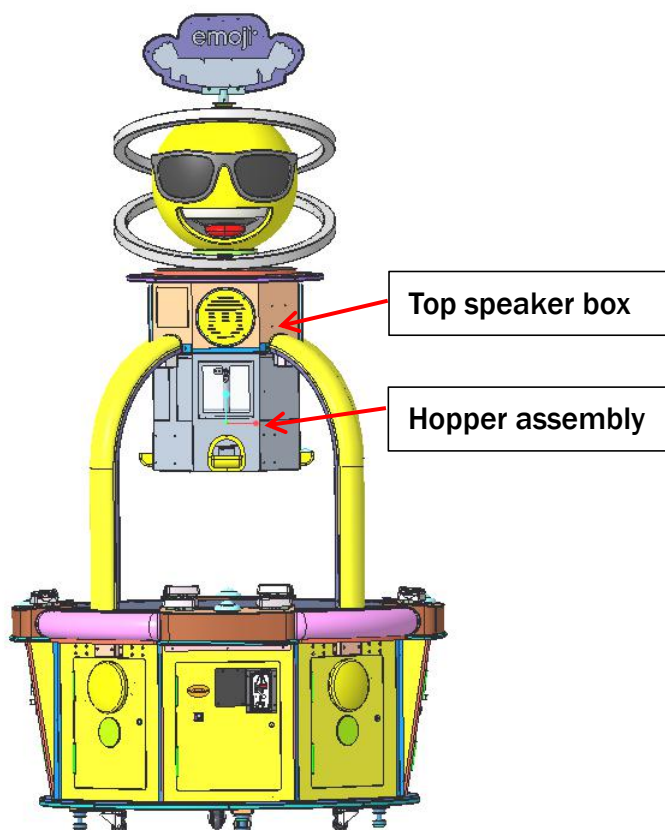


Step 10 Install Top speaker box bottom board back.

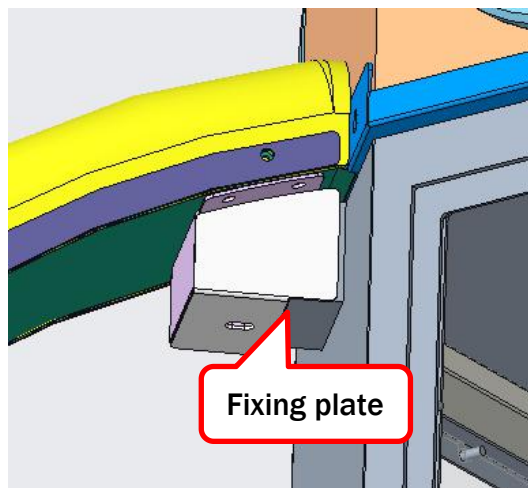
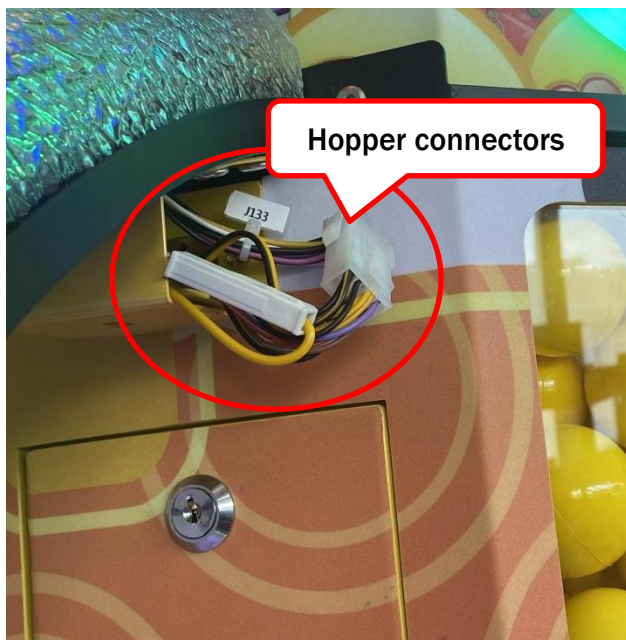


Step 11 Install Hopper assembly to the Top speaker box. Turn clockwise to secure.

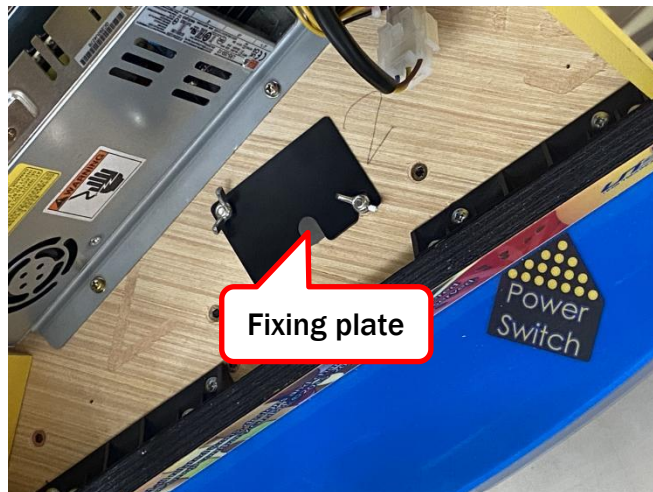
Note: Hopper door need to be installed on the P1 position.



Step 12 Connect the hopper connectors. Utilize fixing plate and hexagon screws(M5×10) to secure.




Step 13 Open the speaker door between P1-P2. Loosen swing screws to remove Fixing plate. Insert power cord to the socket switch.



Finish!

4.5 Card Reader Installation Safety Notice

 Take precaution to assure that all wiring voltages are confirmed prior to installation of card reader. All warranties are void if not properly installed resulting in logic board damage.

Important: This game is pre-wired to AAMA standards. It is highly recommended to utilize this wiring for Card reader installation.

5. HOW TO PLAY

Step 1 Tap Card to play. Tap button to move Emoji head and collect Emoji from the loop.

Step 2 Earn tickets for every Emoji Collected.

Step 3 To win an Emoji ball, level up by catching the Emoji faces.

Step 4 Collect Emojis to fill your card and start “Emoji Frenzy” for a chance to win an Emoji ball.

HOW TO PLAY

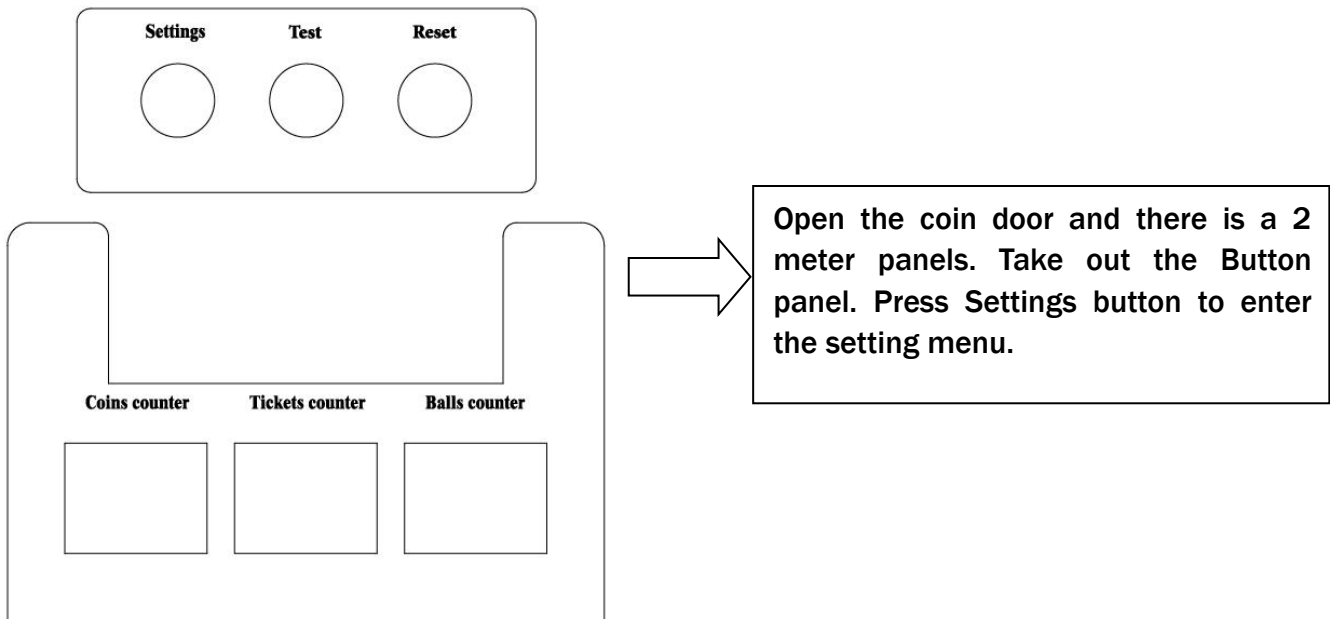
EARN TICKETS FOR EVERY EMOJI COLLECTED. 

TO WIN AN EMOJI BALL, LEVEL UP BY CATCHING THE EMOJI FACES. 

COLLECT EMOJIS TO FILL YOUR CARD AND START EMOJI FRENZY FOR A CHANCE TO WIN AN EMOJI BALL 

6. GAME OPTION

6.1 Adjustment button instructions



6.2 Setting menu

6.2.1 Main menu

Options
Basic Setting
Customized Setting
Mini Game Setting
Input Test
Output Test
Game Reset

Options
Date/Time Setting
Language
Bookkeeping
Daily Record
About This Game
Back to Game

6.2.2 Basic Setting

Options	Status	Default	Description
Free Play	OFF_ON	OFF	
Volume Setting			Refer to 6.2.2.1
Attract Mode	OFF_ON	ON	
Game Mode	Game Time_Times/Game	Game Time	
Game Time (Sec)	20-150	30	
Pay Mode	Insert Coins_Tap Card_Insert Coins & Tap Card	Tap Card	

Options	Status	Default	Description
Coins/Game	1-20	1	
Coin Lock 1	1-20	5	
Coin Lock 2	1-20	5	
Coin Lock 3	1-20	5	
Coin Lock 4	1-20	5	
Memory Save	ON/OFF	OFF	
Character Normal Speed	1-5	4	
Character Accelerate Speed	10-15	13	
Back&Save			
Back			

6.2.2.1 Volume Setting

Options	Status	Default
All Volume	0-200	100
Game BGM	0-200	100
Demo music	ON/OFF	ON
Demo Mute(Cycle)	1-10	2
Demo Sonance(Cycle)	1-10	1
P1_Sound Effect Volume	0-200	100
P2_Sound Effect Volume	0-200	100
P3_Sound Effect Volume	0-200	100
P4_Sound Effect Volume	0-200	100
P1_Voice Over Volume	0-200	100
P2_Voice Over Volume	0-200	100
P3_Voice Over Volume	0-200	100
P4_Voice Over Volume	0-200	100
Back&Save		

6.2.3 Customized Setting

Options	Status	Default
Player Position Correction	-15-15	0
Game Marquee Motor Switch	OFF_ON	ON
Collection Reserve Level	0-6	2
Prop Generation Time(Sec)	10-300	60
Speed Up Time(Sec)	10-300	40
Reverse Time(Sec)	10-300	40
Out Ball Switch	OFF_ON	ON
D&B Logo Tickets	20-500	50
Emoji Frenzy On/Off	OFF_ON	ON
Emoji Frenzy Length (Sec)	10-30	20
Emoji Frenzy Tickets Per Catch	2-20	10
Out Tickets Switch	OFF_ON	ON
Out Of Tickets	Store in memory_Call Attendant	Store in memory
Divide By 2	OFF_ON	OFF
Mercy Ticket	1-20	2
Payout	5-85	30
Ticket Setting		Refer to 6.2.3.1
Back&Save		

6.2.3.1 Ticket Setting

Options	Status	Default
Yellow Emoji	0-20	0
Heart Ticket 1	1-200	2
Poo Ticket 1	1-200	2
Hand Ticket 1	1-200	2
Pig Ticket 1	1-200	2
Popper Ticket 1	1-200	2
Heart Ticket 2	1-200	3
Poo Ticket 2	1-200	3
Hand Ticket 2	1-200	3
Pig Ticket 2	1-200	3
Popper Ticket 2	1-200	3

Options	Status	Default
Heart Ticket 3	1-200	4
Poo Ticket 3	1-200	4
Hand Ticket 3	1-200	4
Pig Ticket 3	1-200	4
Popper Ticket 3	1-200	4
Heart Ticket 4	1-200	6
Poo Ticket 4	1-200	6
Hand Ticket 4	1-200	6
Pig Ticket 4	1-200	6
Popper Ticket 4	1-200	6
Heart Ticket 5	1-200	6
Poo Ticket 5	1-200	6
Hand Ticket 5	1-200	6
Pig Ticket 5	1-200	6
Popper Ticket 5	1-200	6
Heart Ticket 6	1-200	7
Poo Ticket 6	1-200	7
Hand Ticket 6	1-200	7
Pig Ticket 6	1-200	7
Popper Ticket 6	1-200	7
Back&Save		

6.2.4 Mini Game Setting

Options	Status	Default
Games Played Until Mini	3-100	20
Logo Ball On/Off	OFF_ON	ON
Racecar On/Off	OFF_ON	ON
Racecar Length (Sec)	10-30	20
Racecar Tickets per Catch	2-20	4
Ghost On/Off	OFF_ON	ON
Ghost Length (Sec)	10-30	20
Ghost Tickets per Catch	2-20	4
Logo Ticket On/Off	OFF_ON	ON
Logo Tickets Per Catch	20-500	50

Options	Status	Default
Pinata On/Off	OFF_ON	ON
Pinata Length (Sec)	10-30	20
Pinata Tickets per Catch	2-20	4
Cake On/Off	OFF_ON	ON
Cake Length (Sec)	10-30	20
Cake Tickets per Catch	2-20	4
Back&Save		
Back		

6.2.5 Input Test

Options
Insert Coin 1
Insert Coin 2
Insert Coin 3
Insert Coin 4

Options
Start Button 1
Start Button 2
Start Button 3
Start Button 4
Back

6.2.6 Output Test

Options
Moving Character 1
Moving Character 2
Moving Character 3
Moving Character 4
Ticket Driver 1
Ticket Driver 2
Ticket Driver 3
Ticket Driver 4
Test Speaker 1
Test Speaker 2
Test Speaker 3
Test Speaker 4
Emoji Light 1
Emoji Light 2

Options
Emoji Light 3
Emoji Light 4
Track Light 1
Track Light 2
Track Light 3
Track Light 4
Start Button Light 1
Start Button Light 2
Start Button Light 3
Start Button Light 4
Speaker Light 1
Speaker Light 2
Speaker Light 3
Speaker Light 4

Options
Marquee Motor
Double-Ring Light
Four Column Light
Emoji Ball Out 1
Emoji Ball Out 2
Emoji Ball Out 3
Emoji Ball Out 4
Ball Out Light 1
Ball Out Light 2
Ball Out Light 3
Ball Out Light 4
Hopper Inner Light
Top Light
Back

6.2.7 Game Reset

Options
Factory Restore
Reset Basic Setting
Reset Customized Setting
Clear All Records
Clear Owed Ticket

Options
Clear Unused Coin
Clear Owed Ball
Empty Balls
Back

6.2.8 Date/Time Setting

Options
Year
Month
Day
Hour(24)
Minute
Second
Back&Save
Back

6.2.9 Bookkeeping

Player	Coins	Tickets	Payout	Balls
NON RESETTABLE POINTS NON RESETTABLE TICKETS				
Back				

6.2.10 Daily Record

Date	Weekday	RunTime	Coins	Tickets	Payout	Server Coins	Balls
Prev. Page Next Page Clear Back							

7. TROUBLESHOOTING


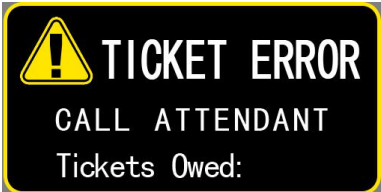


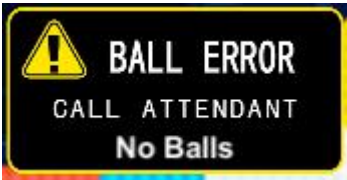
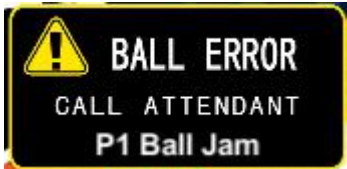
7.1 Common Problem

Please confirm that all connectors fit tightly.

Symptom	Possible Cause	Recommended action
Game will not start	Frame assembly connector is loose.	Check connector.
	Frame assembly fault	Contact with UNIS Service.
Power off	Circuit protector make power SW in off state.	Turn on power SW again. If appeared again and again, machine has anomaly. Please contact with UNIS Service.
Card reader not working	The connector is loose.	Check connector.
	Card reader fault.	Check with card reader manufacturer.
No sound	Low volume	Raise the volume.
	Connector loose.	Check connector.
	Speaker fault.	Check speaker.
	POT installation error.	Install POT correctly.
	POT fault.	Change POT.
	Audio cable problem.	Reconnect the audio cable or change it.
Display black screen	PC crash.	Restart or system recovery.
	Check connectors.	Plug in connector tightly
Display blue screen	Display fault.	Utilize another source such as a PC to verify if the display is operational.
	PC power cord is loose	Check PC power cord whether is loose.
	VGA signal cable is loose.	Check VGA cable
	PC video card is loose.	Reseat video card.

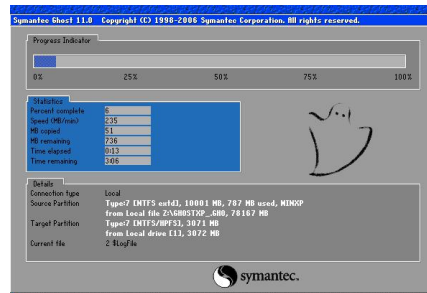
Note: After replacing component from PC (except for RAM), and replacing monitor, the game should be recovered again with the recovery stick attached to the machine.

If you see following error signs showing on the display, please try the recommended action.

Display	Possible Cause	Recommended action
	The connection part of the IO board and PC are loose.	Check and reconnect the loose ports of the PC or IO board.
	Cable quality problem	Change the cable after checking the connection between IO board and PC.
	Cable became loose during transportation.	Check and reconnect the loose cables of the PC or IO board.
	IO board is faulty.	Reboot the game after checking connection and cable problem, if the problem remains unresolved, please call the service department for assistance.
	Out of ticket.	Refill ticket
	Loose connection of the ticket dispenser's cables.	Check and reconnect the loose cables to the ticket dispenser.
	Ticket dispenser is faulty.	Change the ticket dispenser.
	Ticket jam.	Remove jammed tickets.
	Out of ticket.	Refill ticket
	The connection part of the P1/2/3/4 IO board are loose.	Check and reconnect the loose ports of the IO board.
	Hopper IO board connector may be loosen .	Check and reconnect the loose ports of the Hopper IO board.
	Hopper assembly is not installed/Not install well.	Install Hopper assembly well.check all the hopper connectors.
	P1/2/3/4 Channel of the hopper no balls.	Refill balls on the hopper.
	P1/2/3/4 hopper channel sensor is broken.	Replace hopper channel sensor.
	Ball jam on the P1/2/3/4 hopper channel.	Remove jammed balls.
	P1/2/3/4 Channel of the hopper no balls.	Refill balls on the hopper.

7.2 System Recovery Operation **(NOTE: Do not disconnect power during this process.)**

1. Turn off the game. Remove the recovery stick from the machine. (Note: This process may take up to 60 minutes) Insert the recovery stick into the port at the back of the computer.
2. Restart PC to enter the system recovery screen as shown.



3. The game will automatically start recovery.
4. Once system recovery is partially finished (as shown below), and the ICON appears, remove the recovery stick from the computer. The game will continue the install process.

OK to remove the recovery stick.



5. Assure that the recovery stick has been properly secured for future use.



WARNING: The recovery stick should only be used to fix software errors. Using it for other purposes may cause unexpected results and damages.

8. MAINTENANCE & INSPECTION

8.1 Safety Check

Check the points listed before operating the machine. These checks are necessary for safe machine operation:

1. Test game before operation each day.
2. Conduct monthly routine checks of game components to ensure good working condition.
3. Check the machine regularly for dust and clean when necessary.

Note: Parts and components require preventative maintenance to maintain proper operation.

8.2 Handling Precautions

When installing or inspecting the machine, be very careful and pay attention to ensure that the player can enjoy the game safely.

Inappropriate handling running counter to the cautionary matters can cause personal injury or damage to the machine.



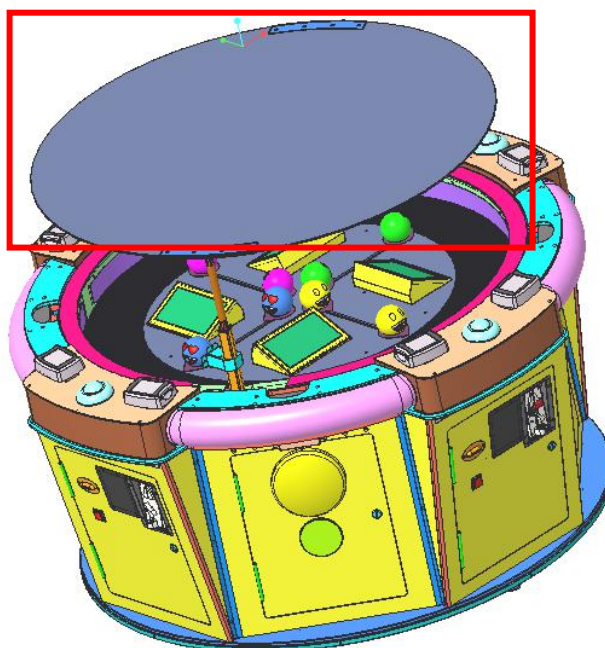
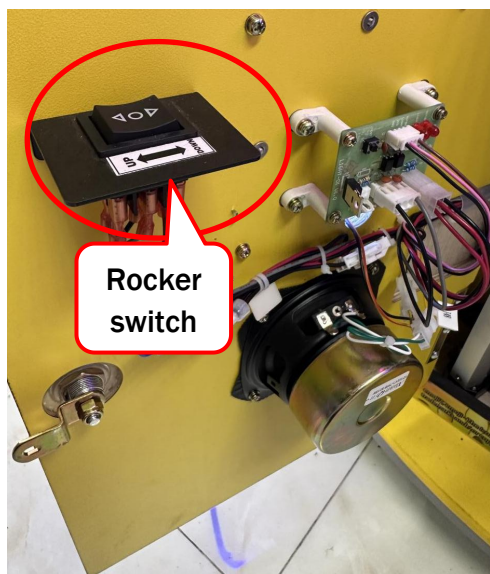
NOTICE

We do not recommend using power tools as they may cause damage.

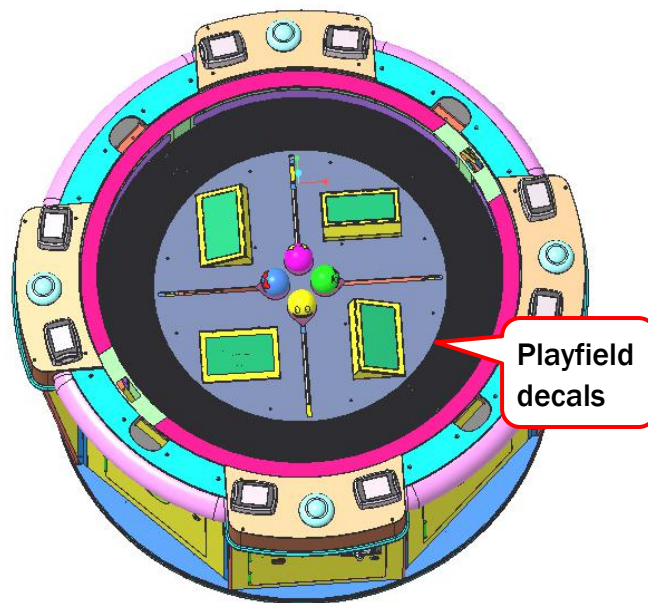
8.3 Monitor Replacement Instructions

Step 1 Make sure that there are no items on the Glass.

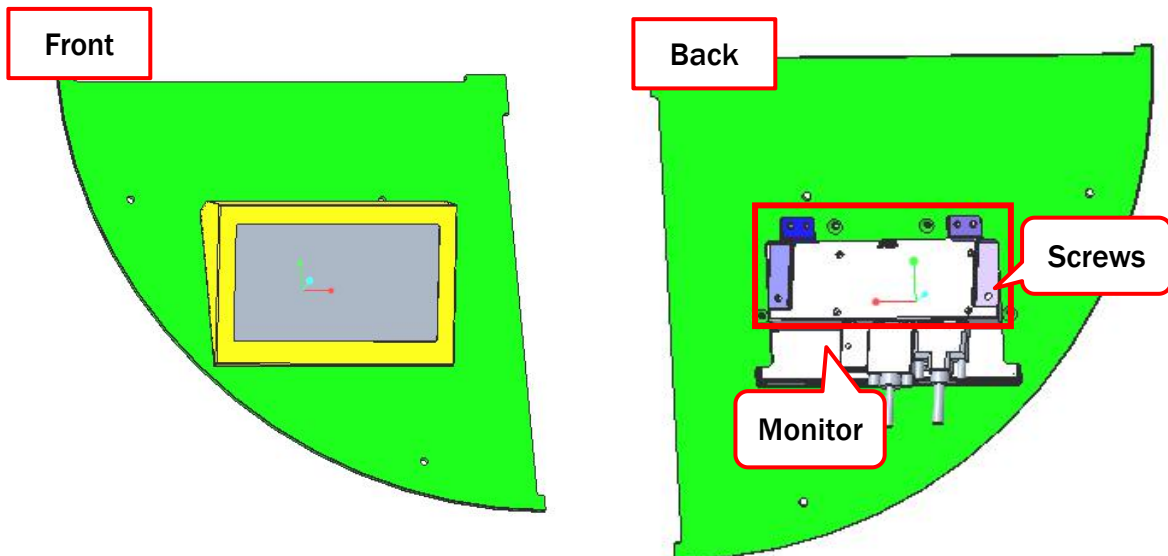
Step 2 Locate the Speaker door and open it. Locate the rocker switch indicated by circle. Press UP to lift the Glass to the highest position.



Step 3 Unplug Monitor cables and connectors. Loosen 6 hexagon screws(M6) and remove Playfield decals.



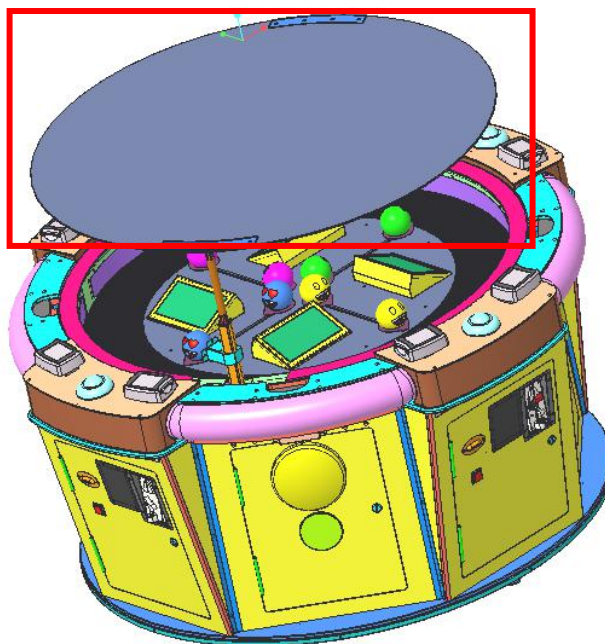
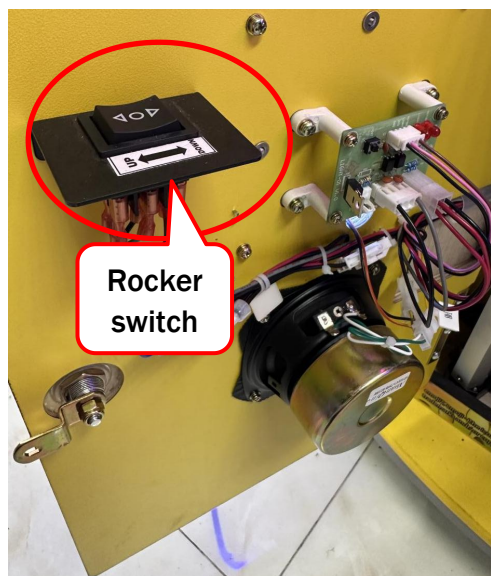
Step 4 Loosens 6 cross recessed screws set(M4) on the back side. Remove Monitor. Replace it with new monitor and install it in reversed order.



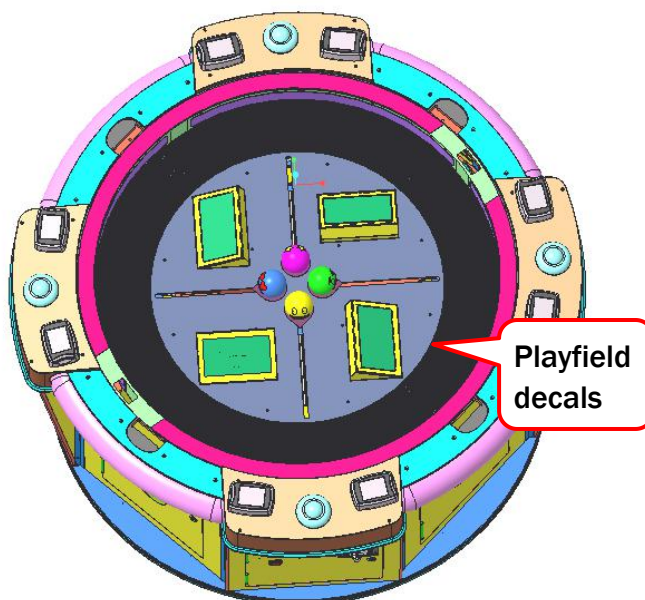
8.4 Moving Mechanism Sensor Replacement Instructions

Step 1 Make sure that there are no items on the Glass.

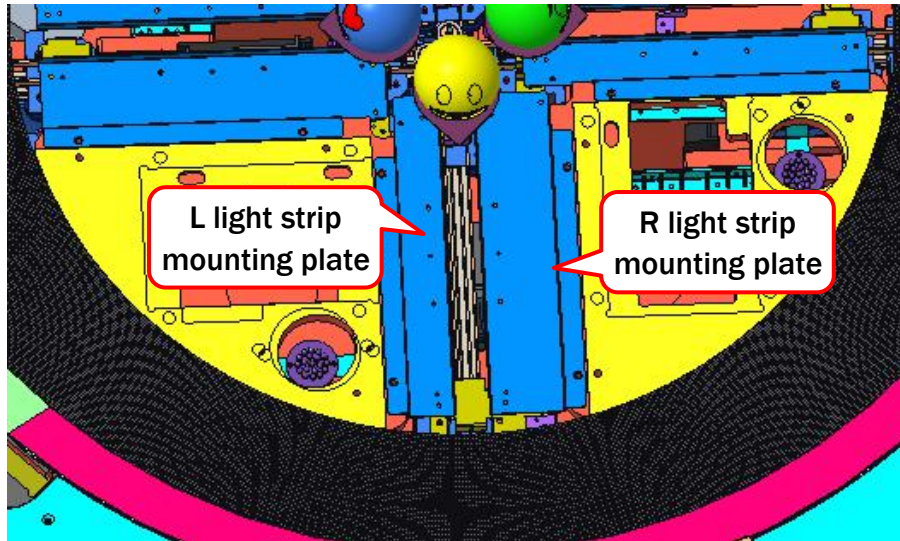
Step 2 Locate the Speaker door and open it. Locate the rocker switch indicated by circle. Press UP to lift the Glass to the highest position.



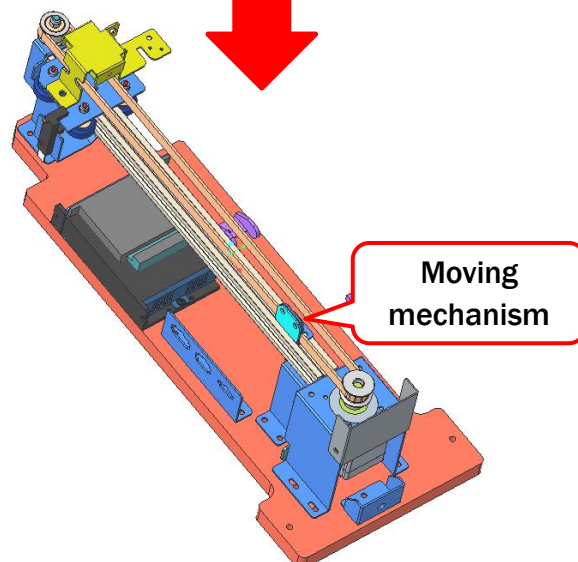
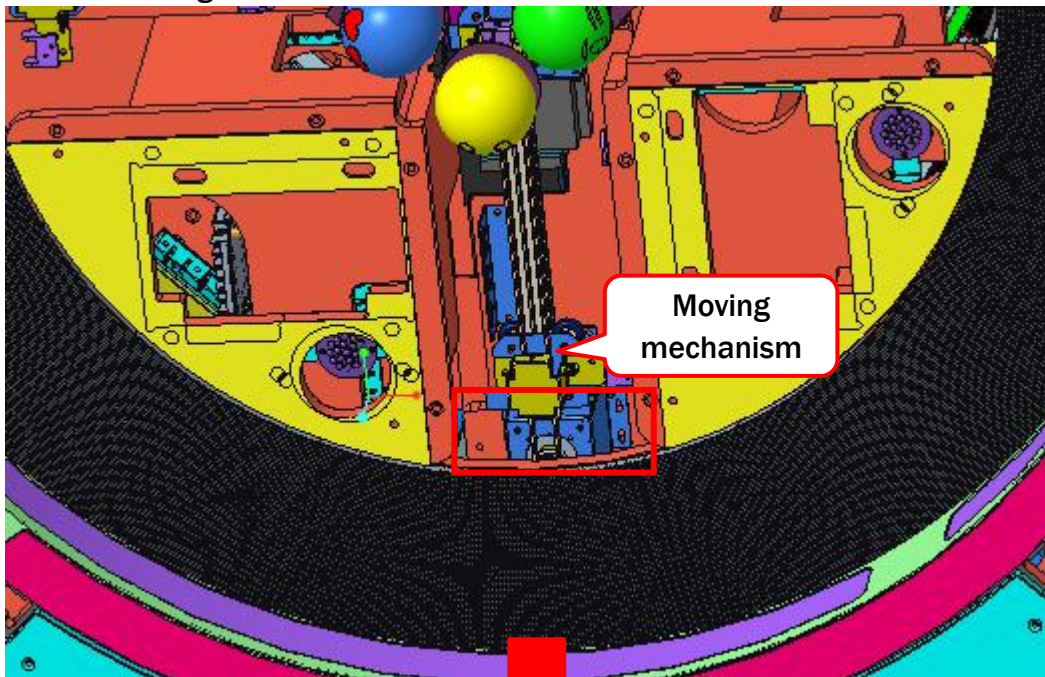
Step 3 Unplug Monitor cables and connectors. Loosen 6 hexagon screws(M6) and remove Playfield decals.



Step 4 Loosen 4 screws(M4) to remove L&R light strip mounting plate.

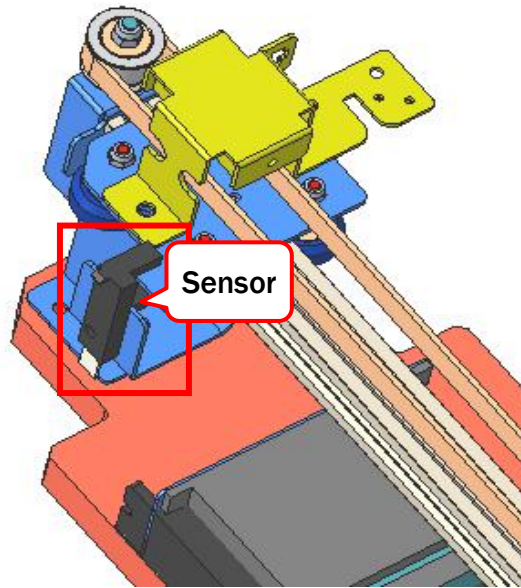


Step 5 Locate Moving mechanism back side. Unplug connectors. Loosen 2 screws(M4) to remove Moving mechanism.



Step 6 Locate Moving mechanism. Unplug sensor connector. Loosen screws to remove sensor.

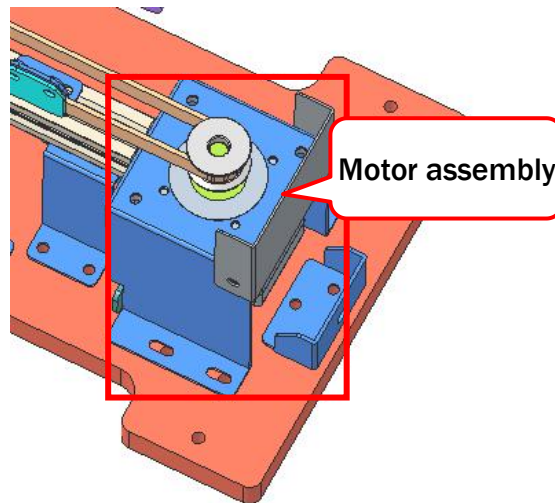
Replace it with new monitor and install it in reversed order.



8.5 Moving Mechanism Motor Replacement Instructions

Step 1 Follow the 8.4 step 1-5 to remove Movement Mechanism.

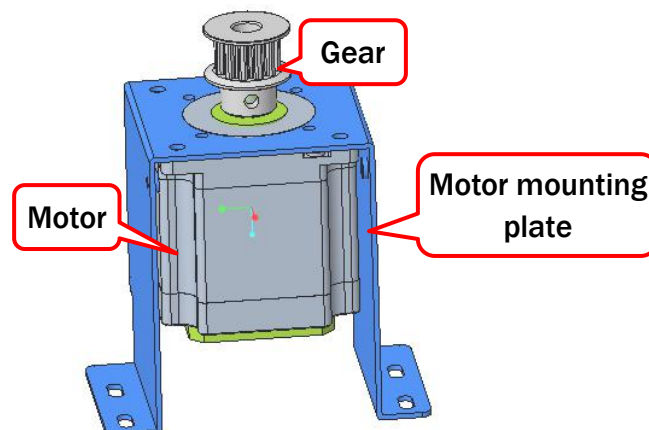
Step 2 Loosen 4 screws(M4) and remove Motor assembly.



Step 3-1 Utilize Allen wrench to loosen 2 screws to remove the gear from the motor.

Step 3-2 Loosen 4 screws(M4) to remove Motor mounting plate.

Step 4 Replace it with new motor and install it in reversed order.

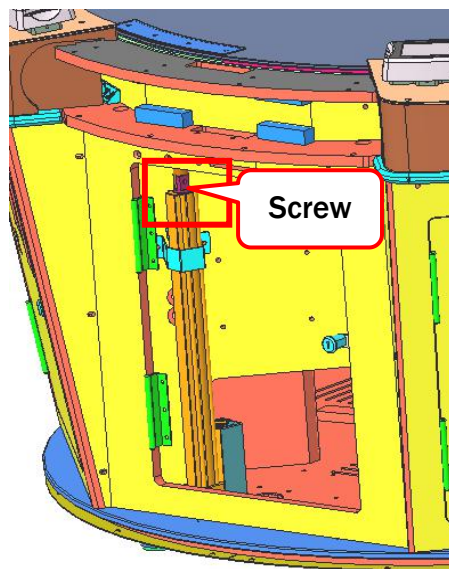


Step 5 Place and adjust the belt to the suitable position after replacing. Utilize tools to loosen or tighten the Gear nut a bit. Utilize the wrench to adjust the nut on the side for belt adjustment.



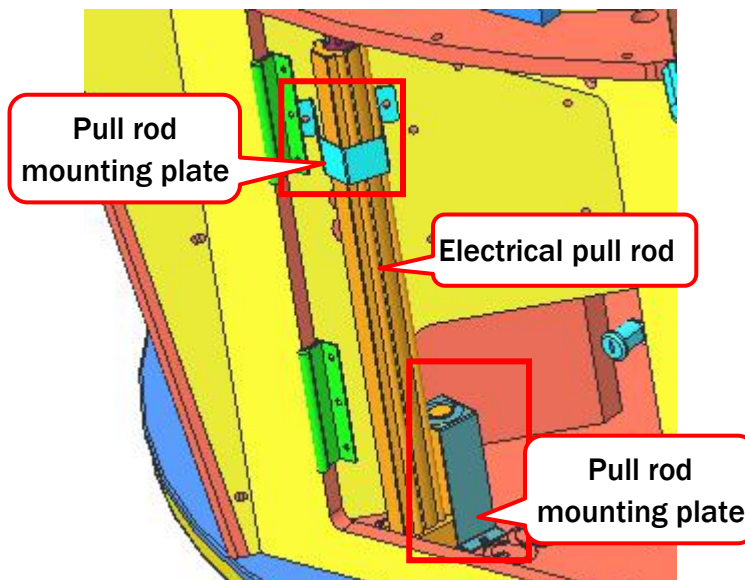
8.6 Electrical Pull Rod Replacement Instructions

Step 1 Locate the Speaker door and open it. Loosen M6 screws indicated by circle.



Step 2 Loosen 4 M4 screws to remove Pull rod mounting plates. Unplug connectors. Remove Electrical pull rod.

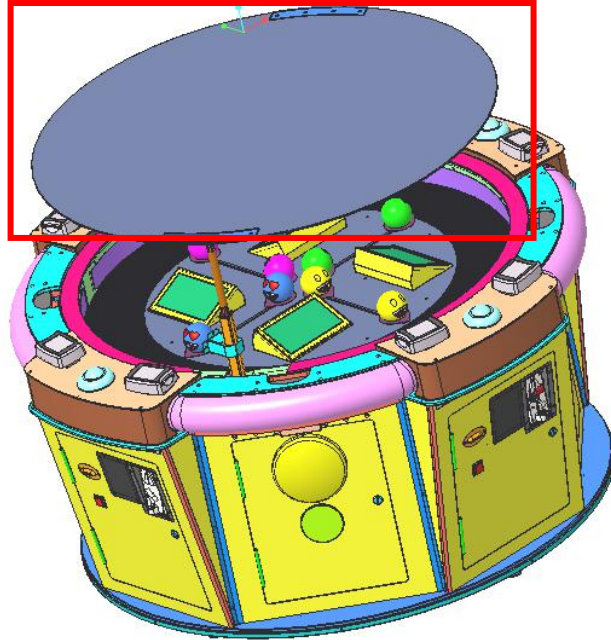
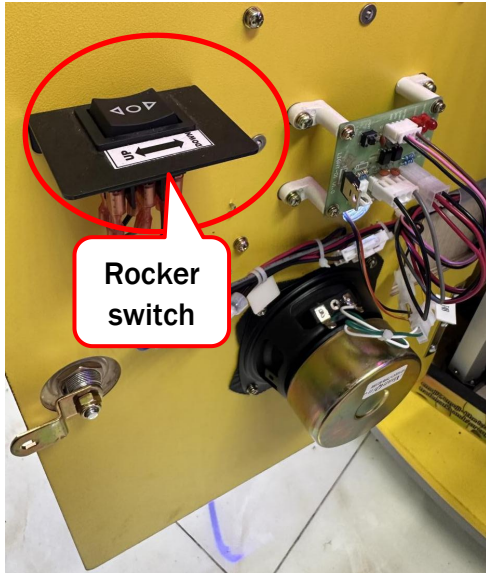
Step 3 Replace it with new Electrical pull rod and install it in reversed order.



8.7 Display Pitch Replacement Instructions

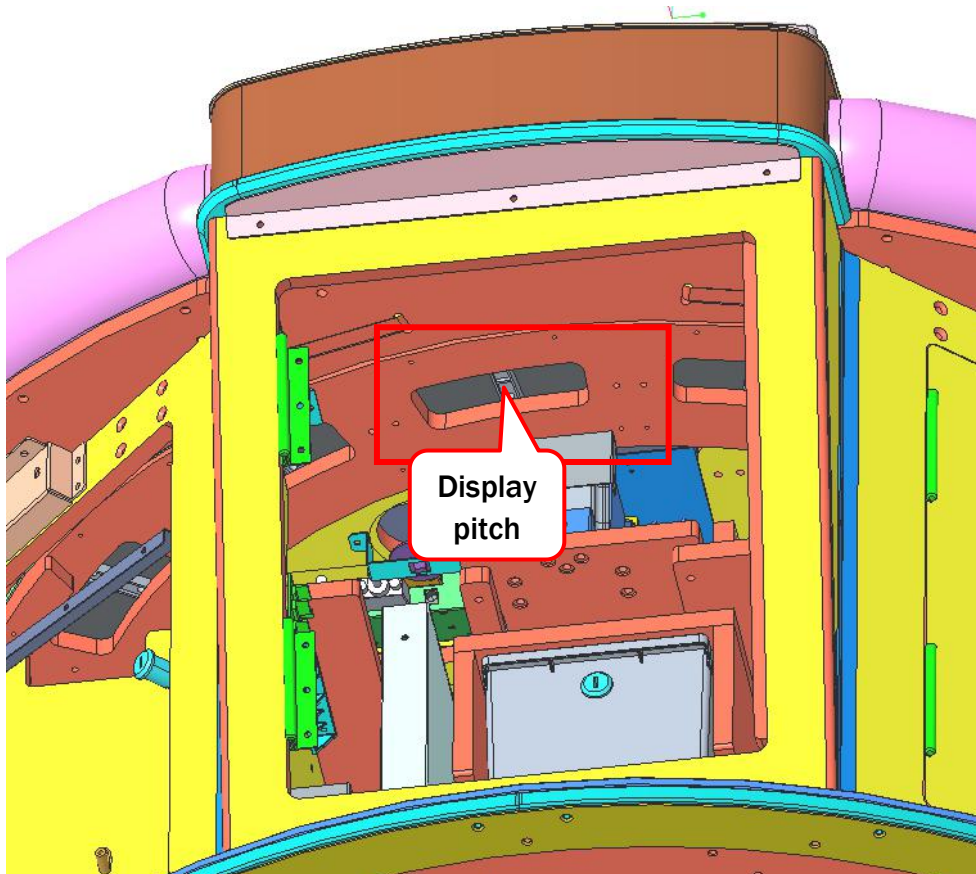
Step 1 Make sure that there are no items on the Glass.

Step 2 Locate the Speaker door and open it. Locate the rocker switch indicated by circle. Press UP to lift the Glass to the highest position.



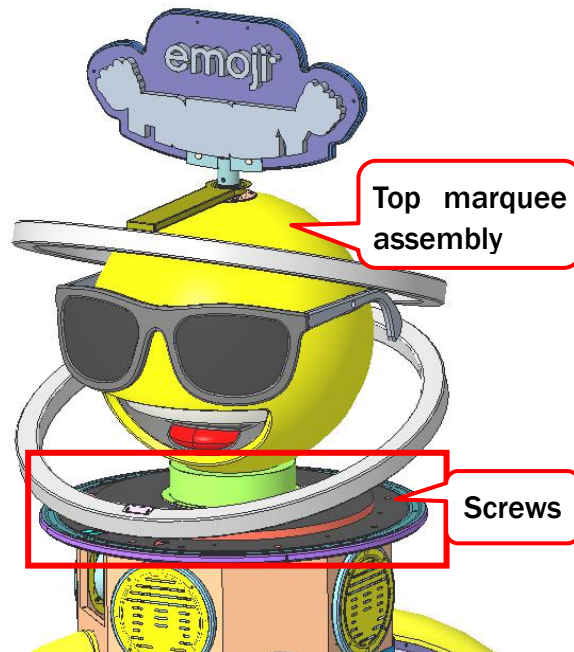
Step 3 Loosen 2 M4 screws to remove Display pitch. Unplug connectors.

Step 4 Replace it with new Display pitch and install it in reversed order.

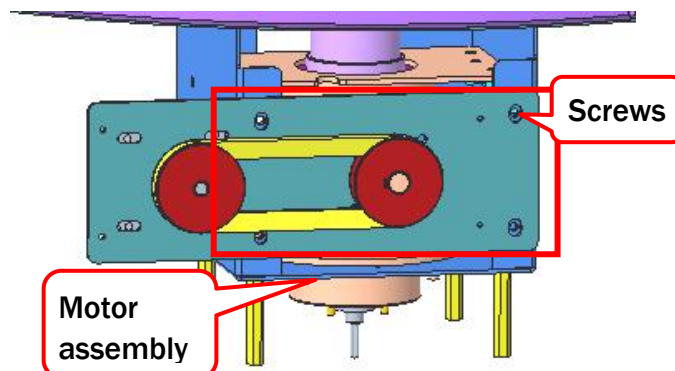


8.8 Rotation Marquee Motor Replacement Instructions

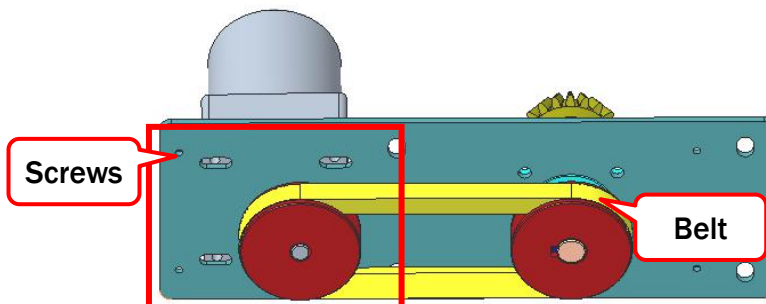
Step 1 Loosen screws to remove Top marquee assembly.



Step 2 Locate Rotation marquee motor. Unplug motor connectors. Loosen 4 screws(M6) to remove Motor assembly.

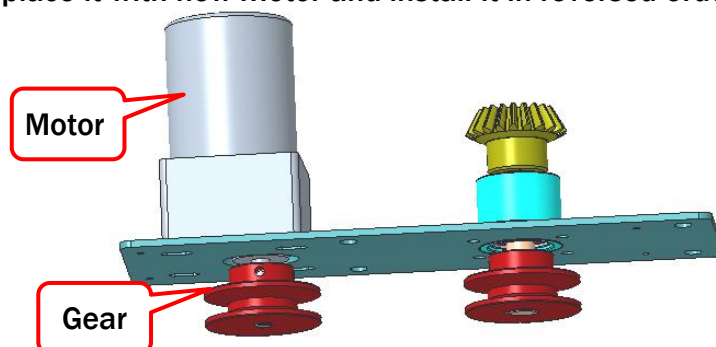


Step 3 Loosen screws to remove motor belt.



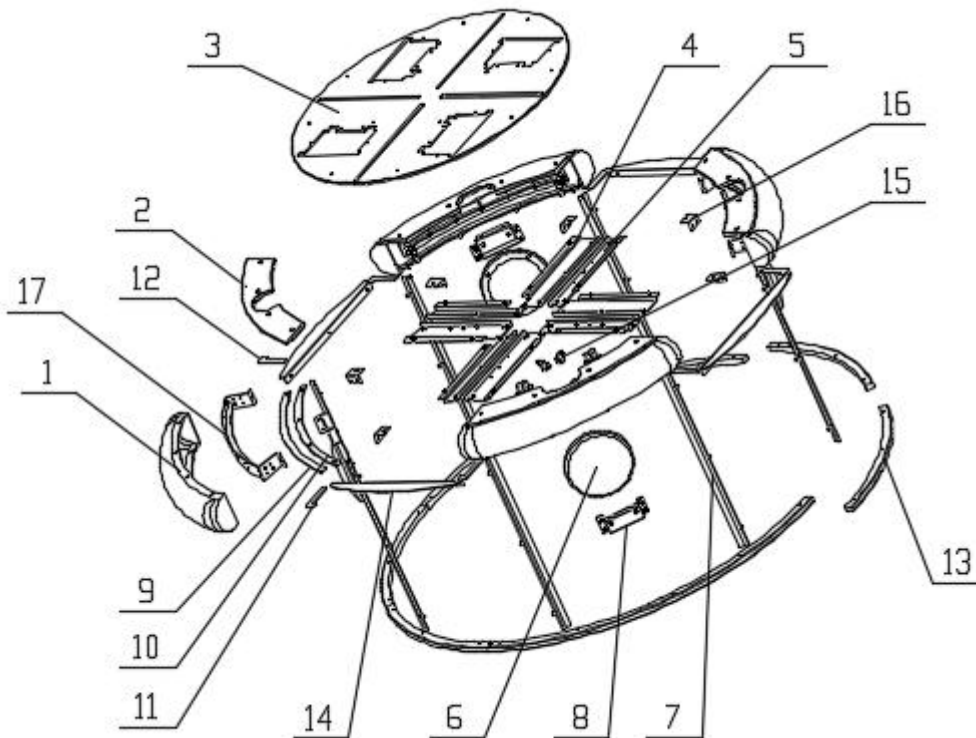
Step 4 Utilize Allen wrench to loosen screws to remove the gear from the motor.

Step 5 Replace it with new motor and install it in reversed order.



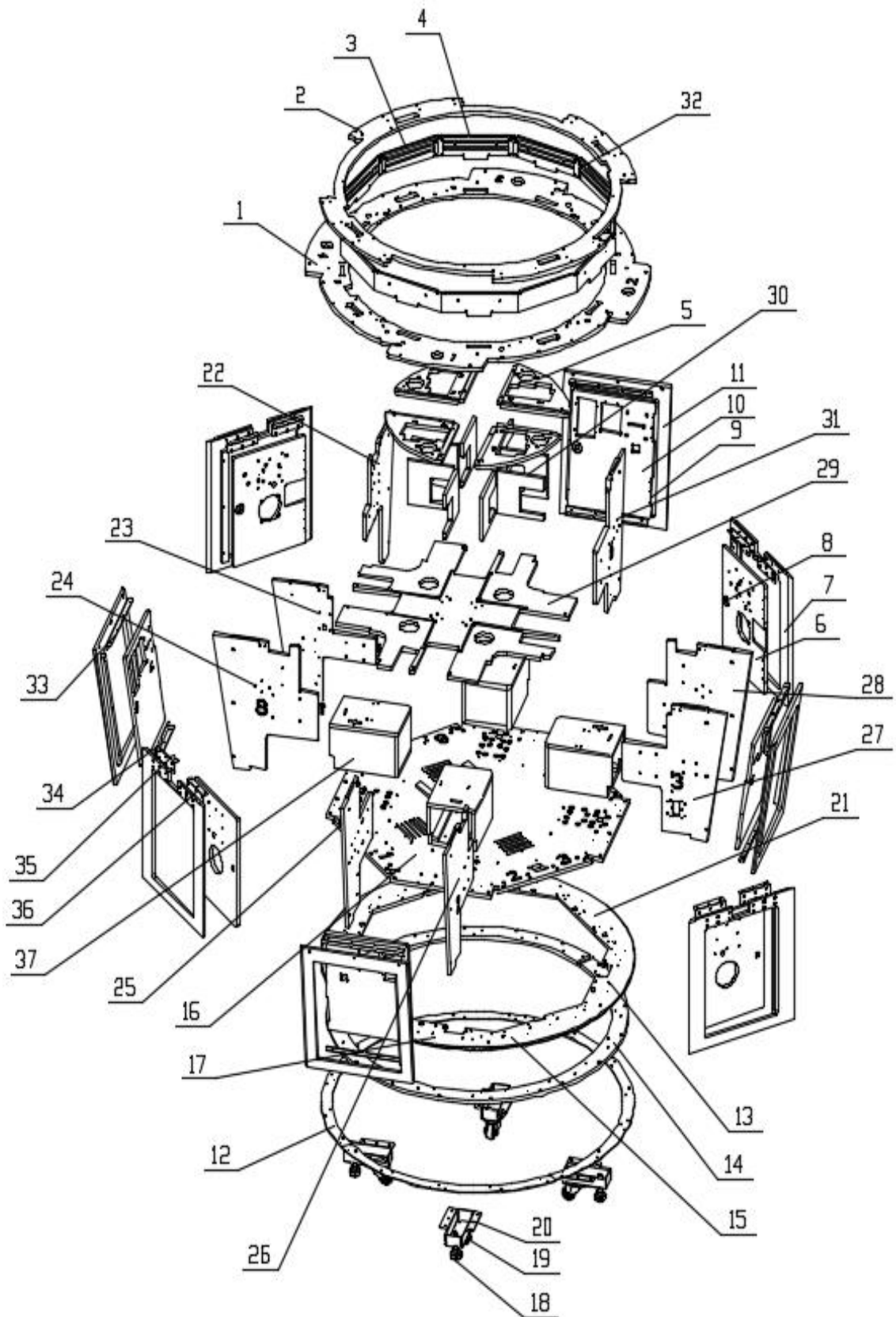
9. OVERALL CONSTRUCTION

9.1 General Assembly



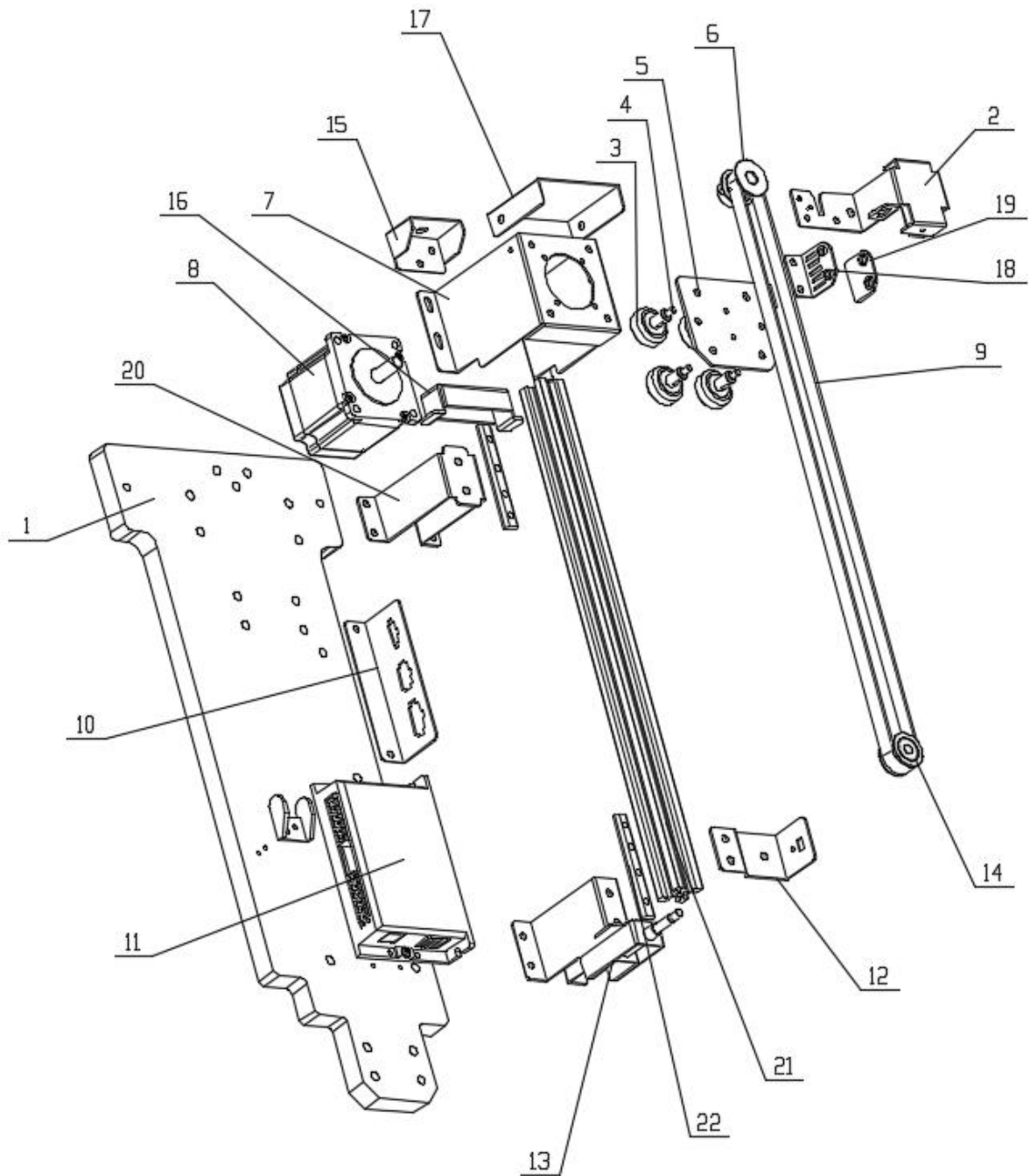
No.	Part No.	Code No.	Name	Version	Qty
1	E120-0001-00	206.4.2230.013	Outside surrounding	V1.1	4
2	E120-0002-00	206.4.2230.074	Circle PP plate B	V1.1	4
3	E120-0003-00	205.4.2230.001	Playfiled plastic	V1.1	1
4	E120-0004-00	202.4.2230.037	R light strip plate	V1.1	4
5	E120-0005-00	202.4.2230.036	L light strip plate	V1.1	4
6	E120-0006-00	205.4.2230.003	Coin door character PC	V1.1	4
7	E120-1623-00	202.4.2230.035	Pressing plate	V1.1	8
8	E120-1624-01	202.4.2230.188	Large position plate	V1.1	4
9	E120-1625-00	202.4.2230.032	Side inner fixing plate	V1.1	4
10	E120-1626-00	206.4.2230.016	Inner foam	V1.1	4
11	E120-1627-01	206.4.2230.089	L blanking foam	V1.1	4
12	E120-1628-01	206.4.2230.090	R blanking foam	V1.1	4
13	E120-1629-00	206.4.2230.012	Bottom surrounding	V1.1	8
14	E120-0007-00	202.4.2230.034	Control panel bottom	V1.1	4
15	E120-0008-00	202.4.2230.029	Small position plate	V1.1	8
16	E120-0009-00	202.4.2230.030	Loops fixing plate	V1.1	8
17	E120-0010-00	202.4.2230.033	LED light strip mounting	V1.1	4

9.2 General Wooden Case



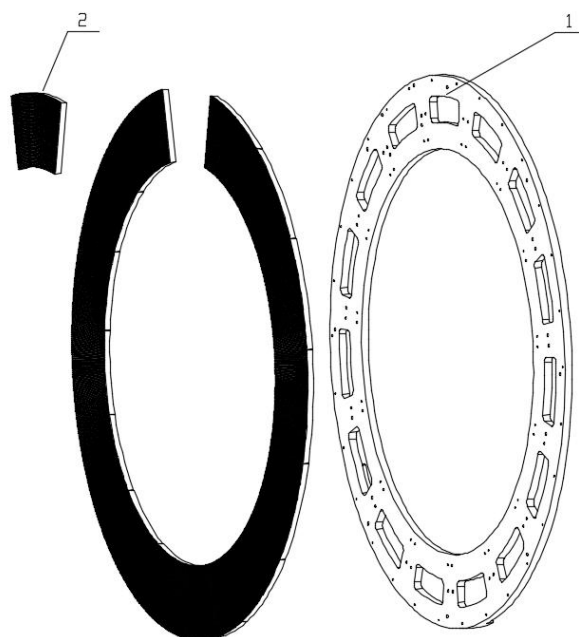
No.	Part No.	Code No.	Name	Version	Qty
1	E120-1001-00	203.4.2230.015	Top board	V1.1	1
2	E120-1002-00	203.4.2230.023	Top upper board	V1.1	1
3	E120-1003-00	203.4.2230.022	Edge board B	V1.1	8
4	E120-1004-00	203.4.2230.021	Edge board A	V1.1	4
5	E120-1005-00	203.4.2230.018	Mid support board	V1.1	4
6	E120-1006-00	203.4.2230.013	Service door	V1.1	4
7	E120-1007-00	203.4.2230.011	Side door frame	V1.1	4
8	E120-1008-00	2.53.00171001	171A lock	V1.1	8
9	E120-1009-00	2.63.00.000001	4" hinge	V1.1	16
10	E120-1010-00	203.4.2230.012	Coin door	V1.1	4
11	E120-1011-00	203.4.2230.010	Front door frame	V1.1	4
12	E120-1012-00	202.4.2230.021	Bottom protective board	V1.1	4
13	E120-1013-00	206.4.2230.049	Bottom round board C	V1.1	1
14	E120-1014-00	203.4.2230.020	Hide light board	V1.1	1
15	E120-1015-00	206.4.2230.050	Bottom round board C	V1.1	1
16	E120-1016-01	203.4.2230.001	Bottom board	V1.1	1
17	E120-1017-00	206.4.2230.047	Bottom round board A	V1.1	1
18	E120-1018-00	2.60.00008000	Caster bracket	V1.1	4
19	E120-1019-00	2.55.01.000047	2.5" caster	V1.1	4
20	E120-1020-00	202.4.2230.138	Leveller base plate	V1.1	4
21	E120-1021-00	206.4.2230.048	Bottom round board B	V1.1	1
22	E120-1022-00	203.4.2230.006	No.6 side vertical board	V1.1	1
23	E120-1023-00	203.4.2230.005	No.7 side vertical board	V1.1	1
24	E120-1024-00	203.4.2230.004	No.8 side vertical board	V1.1	1
25	E120-1025-00	203.4.2230.003	No.1 side vertical board	V1.1	1
26	E120-1026-00	203.4.2230.002	No.2 side vertical board	V1.1	1
27	E120-1027-00	203.4.2230.009	No.3 side vertical board	V1.1	1
28	E120-1028-00	203.4.2230.008	No.4 side vertical board	V1.1	1
29	E120-1029-00	203.4.2230.016	Middle blocking board	V1.1	1
30	E120-1030-00	203.4.2230.019	Heighten board	V1.1	8
31	E120-1031-00	203.4.2230.007	No.5 side vertical board	V1.1	1
32	E120-1032-00	202.4.2230.020	Slanting fixing plate C	V1.1	12
33	E120-1033-00	202.4.2230.019	Slanting fixing plate B	V1.1	4
34	E120-1034-00	202.4.2230.018	Slanting fixing plate A	V1.1	4
35	E120-1035-00	202.4.2230.113	Inner support plate A	V1.1	6
36	E120-1036-00	202.4.2230.114	Inner support plate B	V1.1	2
37	E120-1037-00	203.4.2230.014	Coin outer box	V1.1	4

9.3 Rail Assembly



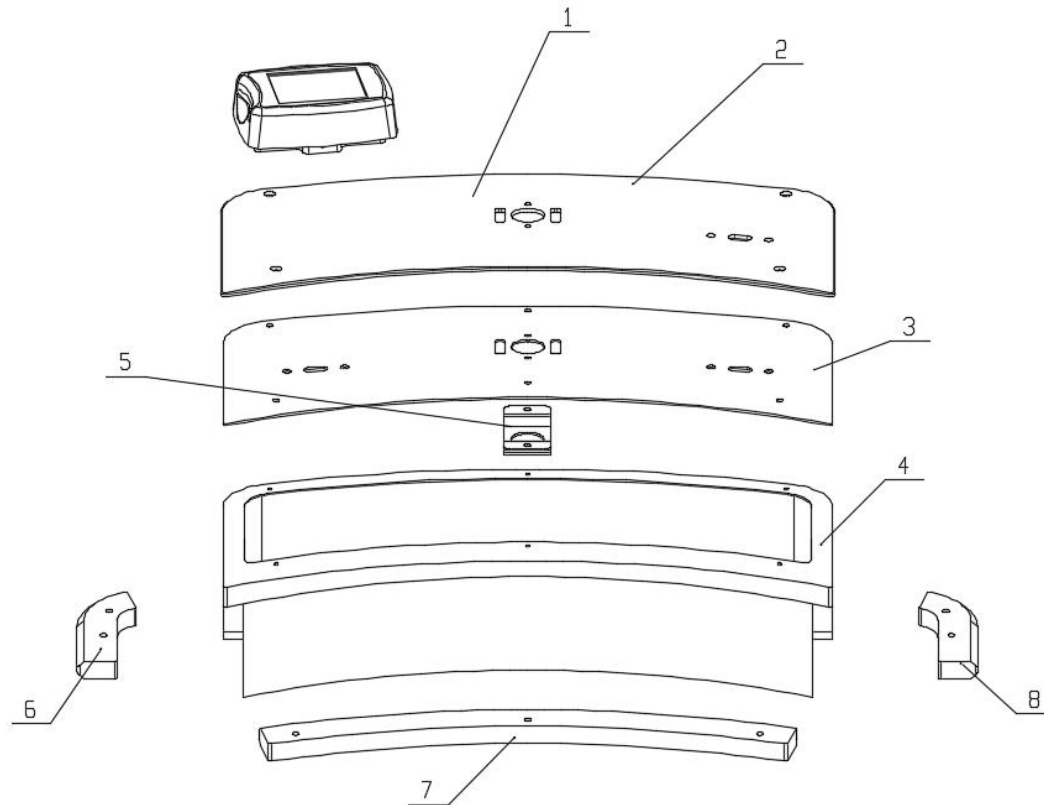
No.	Part No.	Code No.	Name	Version	Qty
1	E120-1632-00	203.4.2230.024	Rail mechanism support board	V1.1	1×4
2	E120-1635-01	202.4.2230.189	Higher plate	V1.1	1×4
3	E120-1636-00	206.1.1707.030	Bearing rubber wheel	V1.1	4×4
4	E120-1637-00	202.1.1707.048A	Wheel axle	V1.1	4×4
5	E120-1638-00	202.4.2230.044	Support plate	V1.1	1×4
6	E120-1641-00	202.4.2230.041	Rail driving wheel	V1.1	1×4
7	E120-1642-00	202.4.2230.040	57 motor plate	V1.1	1×4
8	E120-1643-00	2.34.06.000033	Stepping motor	V1.1	1×4
9	E120-1645-00	2.65.04.010002	Synchronous belt	V1.1	1×4
10	E120-1646-00	202.4.2230.053	Terminal plate	V1.1	1×4
11	E120-1647-00	2.34.29.000009	Stepping motor driver	V1.1	1×4
12	E120-1648-00	202.4.2230.049	Sensor SW plate	V1.1	1×4
13	E120-1651-00	202.4.2230.042	Idle wheel plate	V1.1	1×4
14	E120-1652-00	202.4.2230.043	Idle wheel	V1.1	1×4
15	E120-1654-00	202.4.2230.047	Tension plate B	V1.1	1×4
16	E120-1655-00	202.4.2230.046	Tension plate A	V1.1	1×4
17	E120-1656-00	206.4.2230.019	Protective PVC	V1.1	1×4
18	E120-1657-00	202.4.2230.051	Fixing plate A	V1.1	1×4
19	E120-1658-00	202.4.2230.052	Fixing plate B	V1.1	1×4
20	E120-1659-00	202.4.2230.039	Rail plate	V1.1	1×4
21	E120-1660-00	202.4.2230.038	Rail	V1.1	1×4
22	E120-1661-00	202.4.2230.050	Short fixing plate	V1.1	2×4

9.4 Loops Assembly



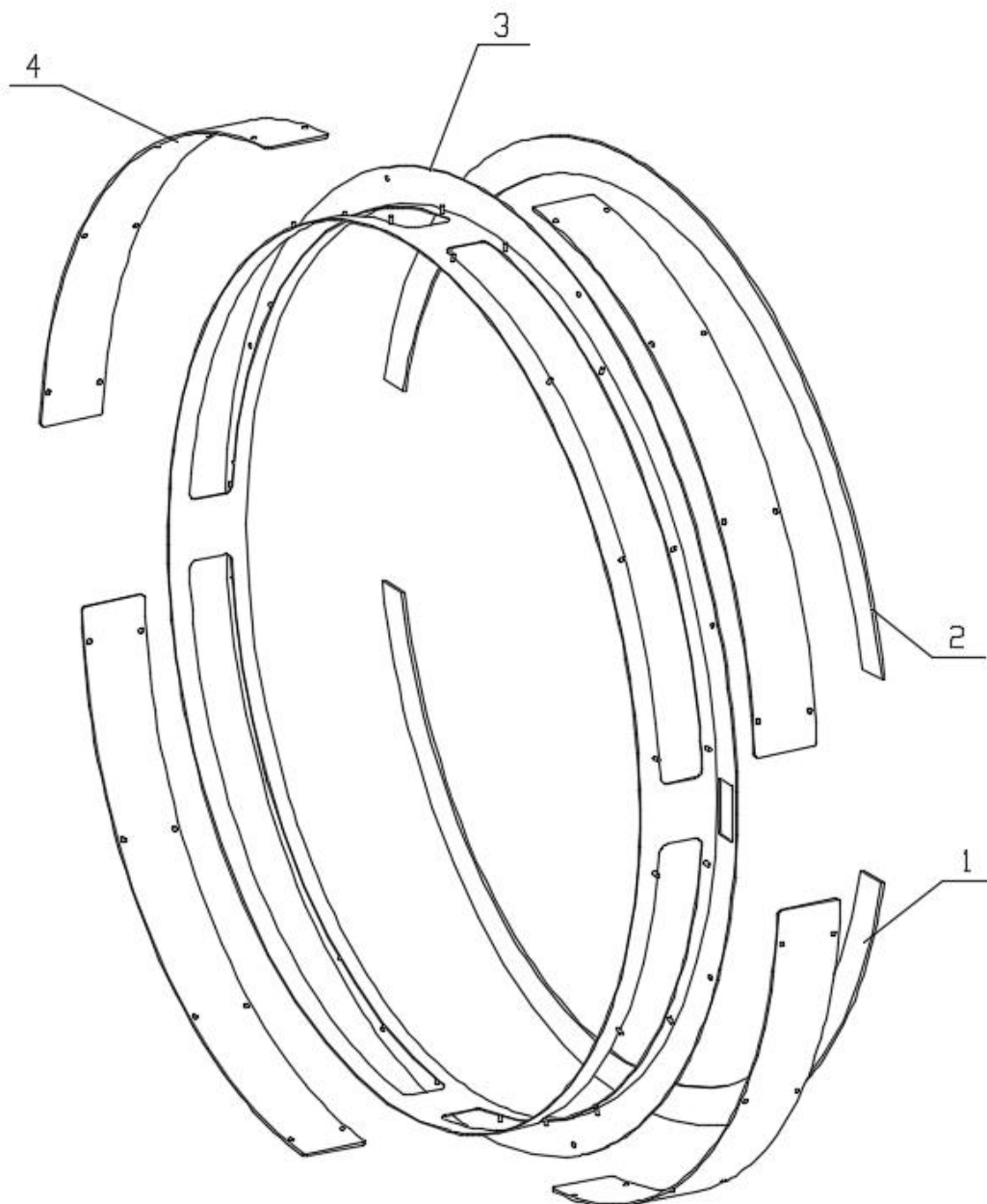
No.	Part No.	Code No.	Name	Version	Qty
1	E120-0201-00	203.4.2230.025	Display pitch board	V1.1	1
2	E120-0202-00	206.4.2230.020	Display pitch bracket ABS	V1.1	15

9.5 Control Panel Assembly



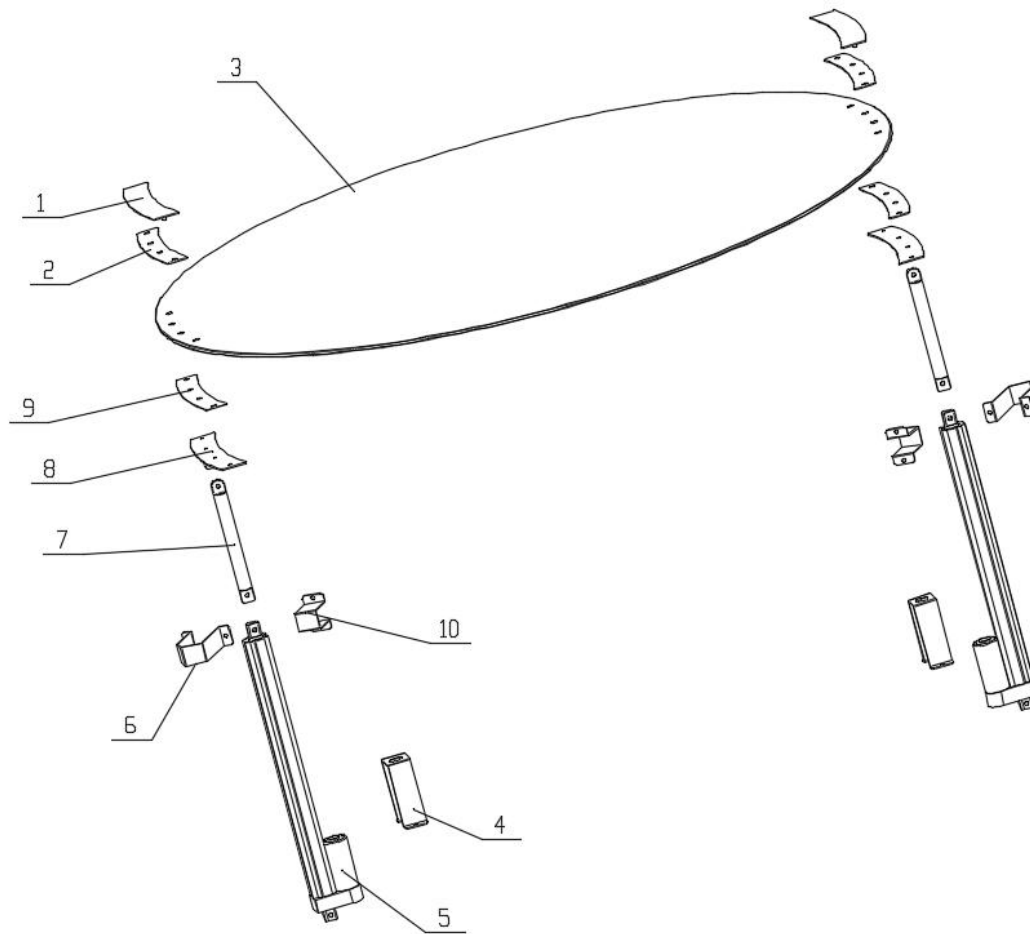
No.	Part No.	Code No.	Name	Version	Qty
1	E120-0101-01	205.4.2230.002B	Ctrl. panel decal 1	V1.1	1×2
2	E120-0102-01	205.4.2230.006B	Ctrl. panel decal 2	V1.1	1×2
3	E120-0103-00	202.4.2230.190	Control panel plate	V1.1	1×4
4	E120-0104-00	202.4.2230.054	Control panel base bracket	V1.1	1×4
5	E120-0105-00	202.4.2230.110	Button pressing plate	V1.1	1×4
6	E120-0106-00	206.4.2230.021	Control panel bottom light plastic A	V1.1	1×4
7	E120-0107-00	206.4.2230.022	Control panel bottom light plastic B	V1.1	1×4
8	E120-0108-00	206.4.2230.023	Control panel bottom light plastic C	V1.1	1×4

9.6 Bottom Surrounding Assembly



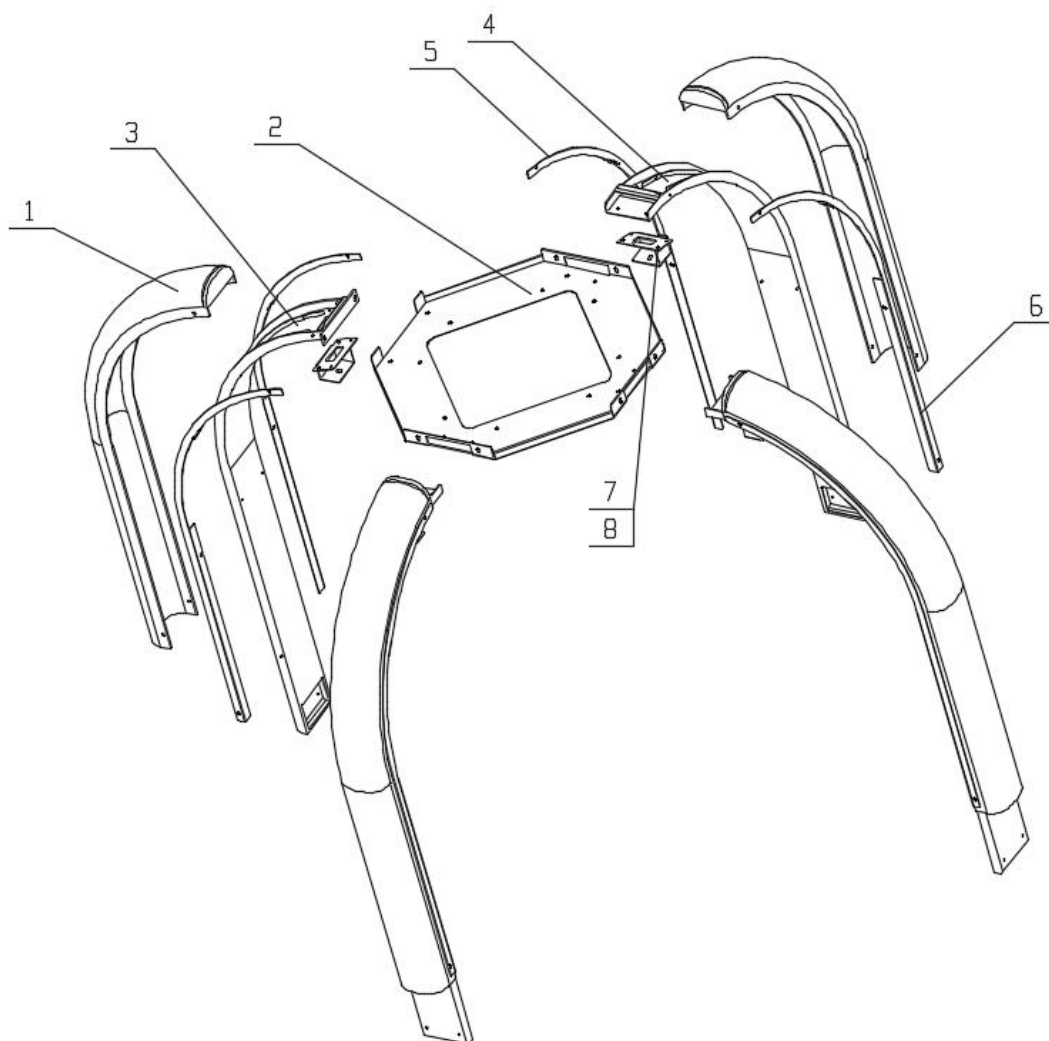
No.	Part No.	Code No.	Name	Version	Qty
1	E120-0801-00	206.4.2230.076	Isolation foam A	V1.1	1
2	E120-0802-00	206.4.2230.078	Isolation foam	V1.1	1
3	E120-0803-00	202.4.2230.056	Edge shell	V1.1	1
4	E120-0804-00	206.4.2230.024	Edge plastic	V1.1	4

9.7 Up-Down Panel Assembly



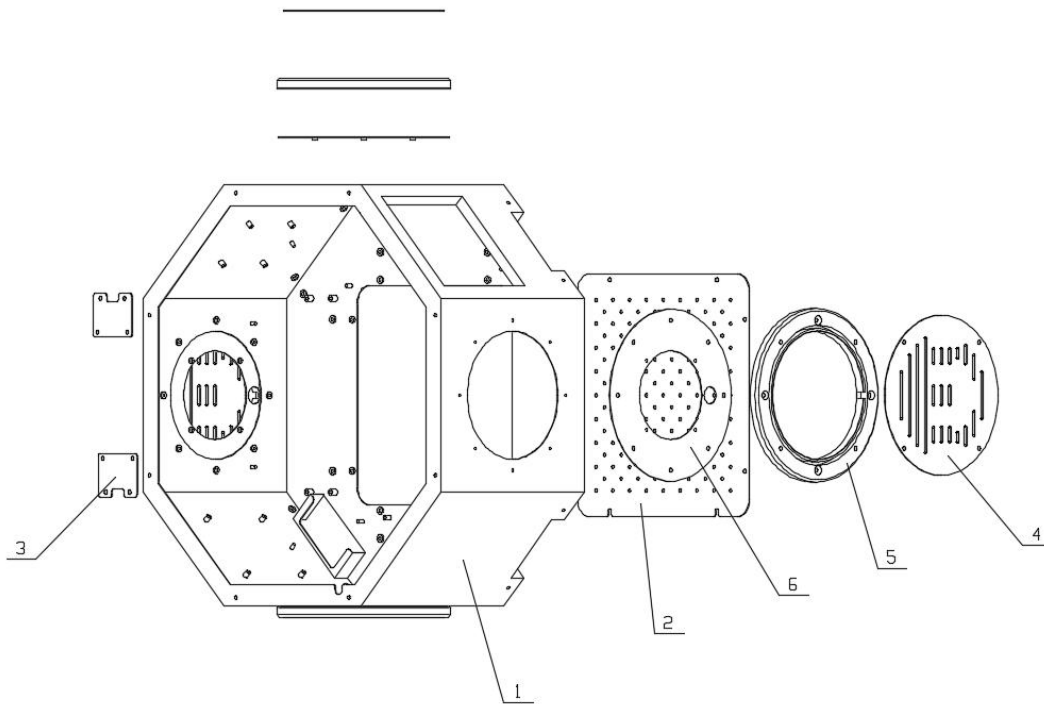
No.	Part No.	Code No.	Name	Version	Qty
1	E120-0701-00	202.4.2230.058	Glass upper pressing plate	V1.1	2
2	E120-0702-00	206.4.2230.027	Glass buffer foam	V1.1	2
3	E120-0703-00	206.4.2230.026	Glass	V1.1	1
4	E120-0704-00	202.4.2230.060	Electrical rod fixing plate	V1.1	2
5	E120-0705-00	2.34.14.010011	Electrical pull rod motor	V1.1	2
6	E120-0706-00	202.4.2230.061	Electrical rod upper fixing plate	V1.1	2
7	E120-0707-00	202.4.2230.059	Extension rod	V1.2	2
8	E120-0708-00	202.4.2230.057	Glass upper pressing plate	V1.1	2
9	E120-0709-00	206.4.2230.077	Seal foam	V1.1	2
10	E120-0710-00	202.4.2230.109	Electrical rod top plate	V1.1	2

9.8 Support Column Assembly



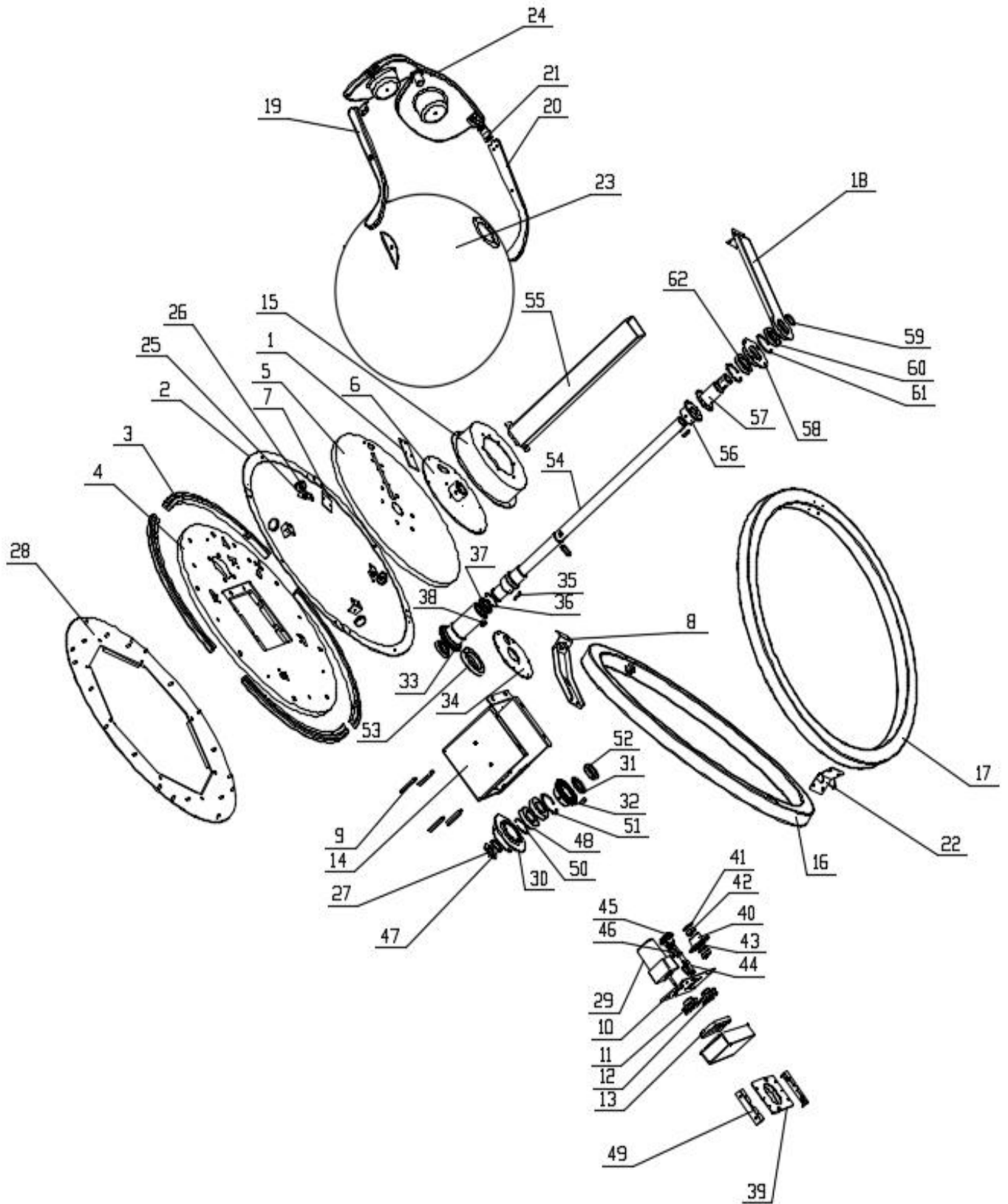
No.	Part No.	Code No.	Name	Version	Qty
1	E120-1101-01	206.4.2230.091	Support column marquee PC	V1.1	4
2	E120-1102-00	202.4.2230.123	Support bracket	V1.1	1
3	E120-1103-01	202.4.2230.192	Moving column	V1.1	1
4	E120-1104-01	202.4.2230.191	Fixing column plate	V1.1	3
5	E120-1105-01	202.4.2230.193	L pressing plate	V1.1	4
6	E120-1106-01	202.4.2230.194	R pressing plate	V1.1	4
7	E120-1107-00	202.4.2230.139	Mechanism bracket	V1.1	4
8	E120-1108-00	202.4.2230.140	Hole cover plate	V1.1	4

9.9 Top Speaker Box



No.	Part No.	Code No.	Name	Version	Qty
1	E120-1301-00	202.4.2230.064	Marquee frame	V1.1	1
2	E120-1302-00	202.4.2230.066	Cabinet blanking plate	V1.1	1
3	E120-1303-00	202.4.2230.067	Power supply L&R plate	V1.1	2
4	E120-1304-00	202.4.2230.065	Speaker front plate	V1.1	4
5	E120-1305-00	206.4.2230.053	Speaker light plastic	V1.1	4
6	E120-1306-00	202.4.2230.146	Speaker mounting plate	V1.1	4

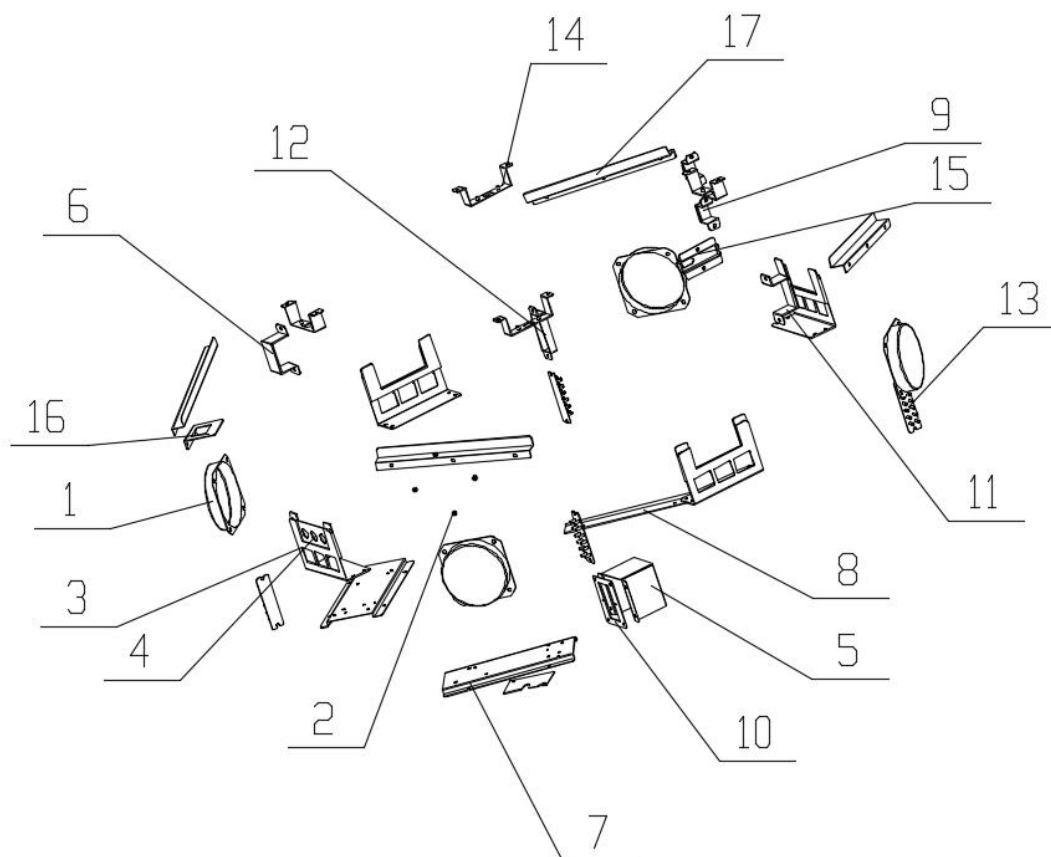
9.10 Rotation Marquee Assembly



No.	Part No.	Code No.	Name	Version	Qty
1	E120-1401-00	202.4.2230.095	Slot covering palate A	V1.1	1
2	E120-1402-00	202.4.2230.069	Lighting cover plate	V1.1	4
3	E120-1403-00	206.4.2230.030	Upper marquee lighting plastic	V1.1	4
4	E120-1404-00	203.4.2230.026	Marquee base board	V1.1	1
5	E120-1405-00	203.4.2230.027	Rotation board	V1.1	1
6	E120-1406-00	202.4.2230.089	Character flange plate	V1.1	1
7	E120-1407-00	202.4.2230.135	Slot covering palate B	V1.1	1
8	E120-1408-00	202.4.2230.131	Bottom connect plate	V1.1	1
9	E120-1409-00	201.08.01.0034	Hexagon CU screw column	V1.1	4
10	E120-1410-00	202.4.2230.085	Motor plate	V1.1	1
11	E120-1411-00	202.4.2230.086	Driving belt plate	V1.1	1
12	E120-1412-00	2.65.04.000134	A type triangle belt	V1.1	1
13	E120-1413-00	202.4.2230.087	Driven belt wheel	V1.1	1
14	E120-1414-00	202.4.2230.070	Rotation base bracket	V1.1	1
15	E120-1415-00	202.4.2230.091	Rotation moulding base plate	V1.1	1
16	E120-1416-00	206.4.2230.045	Bottom lighting plastic	V1.2	1
17	E120-1417-00	206.4.2230.046	Upper lighting plastic	V1.2	1
18	E120-1418-00	202.4.2230.132	Upper connect plate	V1.1	1
19	E120-1419-00	206.4.2230.034	L foot plastic	V1.1	1
20	E120-1420-00	206.4.2230.035	R foot plastic	V1.1	1
21	E120-1421-00	202.4.2230.092	Foot fixing plate	V1.1	2
22	E120-1422-00	202.4.2230.133	Middle connect plate	V1.1	1
23	E120-1423-00	206.4.2230.032	Rotational moulding character	V1.1	1
24	E120-1424-00	206.4.2230.033	Character glasses PE	V1.1	1
25	E120-1425-00	202.4.2230.103	Rolling wheel support plate	V1.1	4
26	E120-1426-00	201.06.10.0218	Bearing(BS62630-6C1L8M6)	V1.1	4
27	E120-1427-00	202.4.2230.134	Electric ring mounting plate	V1.1	1
28	E120-1428-00	202.4.2230.068	Marquee base plate	V1.1	1
29	E120-1429-00	2.34.04.000070	DC motor	V1.1	1
30	E120-1430-00	202.4.2230.071	Rotation bearing plate	V1.1	1
31	E120-1431-00	202.4.2230.072	Axle sleeve	V1.1	1
32	E120-1432-00	202.4.2230.074	Bottom gear wheel	V1.1	1
33	E120-1433-00	202.4.2230.076	Upper gear wheel	V1.1	1
34	E120-1434-00	202.4.2230.079	Flange plate	V1.1	1
35	E120-1435-00	202.4.2230.083	Flat key C	V1.1	4
36	E120-1436-00	201.05.010042	Washer	V1.1	1
37	E120-1437-00	201.06.000196	Bearing(61806-2Z)	V1.1	1
38	E120-1438-00	202.4.2230.080	Flat key B	V1.1	1
39	E120-1439-00	202.4.2230.077	Gear wheel flange plate	V1.1	1
40	E120-1440-00	202.4.2230.084	Support bearing plate	V1.1	1
41	E120-1441-00	201.05.000020	A-type washer(do12)	V1.1	1
42	E120-1442-00	201.06.000083	Bearing(6001ZZ)	V1.1	2
43	E120-1443-00	201.05.000185	A-type washer(do28)	V1.1	2

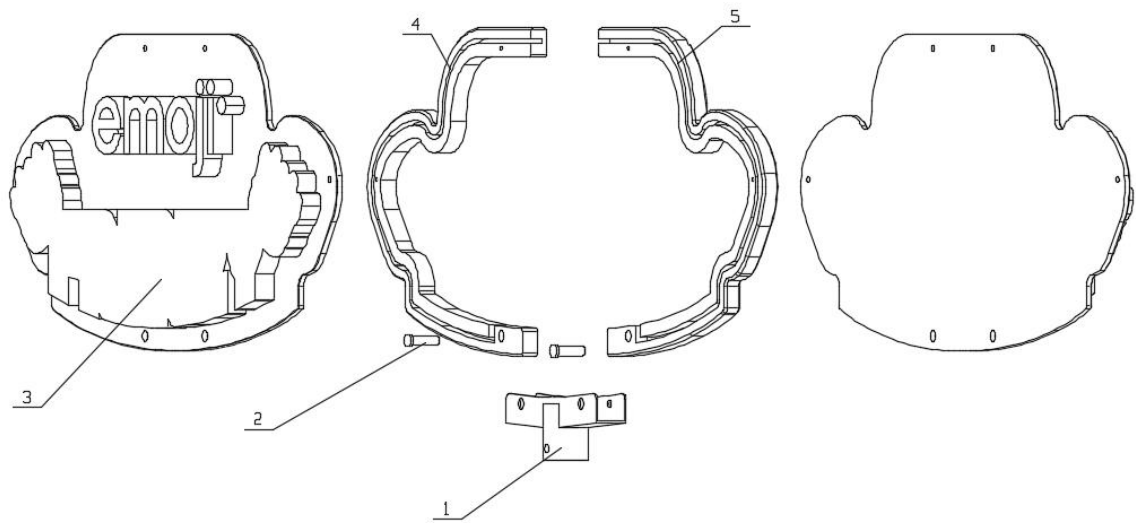
No.	Part No.	Code No.	Name	Version	Qty
44	E120-1444-00	202.4.2230.082	Driving axle	V1.2	1
45	E120-1445-00	202.4.2230.081	Driving wheel	V1.1	1
46	E120-1446-00	202.4.2230.075	Flat key A	V1.1	1
47	E120-1447-00	201.05.000198	A-type washer(do35)	V1.1	1
48	E120-1448-00	201.06.000176	Bearing(6007-2Z)	V1.1	2
49	E120-1449-00	202.4.2230.078	Flange fixing plate	V1.1	2
50	E120-1450-00	201.05.010035	A-type washer(do62)	V1.1	1
51	E120-1451-00	201.05.010043	Washer	V1.1	1
52	E120-1452-00	201.06.000120	Bearing(61906)	V1.1	2
53	E120-1453-00	201.06.000157	Bearing(61911-2Z)	V1.1	1
54	E120-1454-00	202.4.2230.073	Marquee rotation axle	V1.1	1
55	E120-1455-00	206.4.2230.031	Inner light PVC	V1.1	1
56	E120-1456-00	202.4.2230.090	Marquee flange plate	V1.1	1
57	E120-1457-00	202.4.2230.093	Middle changing axle	V1.1	1
58	E120-1458-00	202.4.2230.094	Top marquee support axle	V1.1	1
59	E120-1459-00	201.05.010025	A-type washer(do30)	V1.1	2
60	E120-1460-00	201.06.002020	Bearing(16006-2Z)	V1.1	1
61	E120-1461-00	201.05.010044	A-type washer(do55)	V1.1	2
62	E120-1462-00	201.06.002019	Bearing(61907-2Z)	V1.1	1

9.11 Electrical Fixing Plate Set



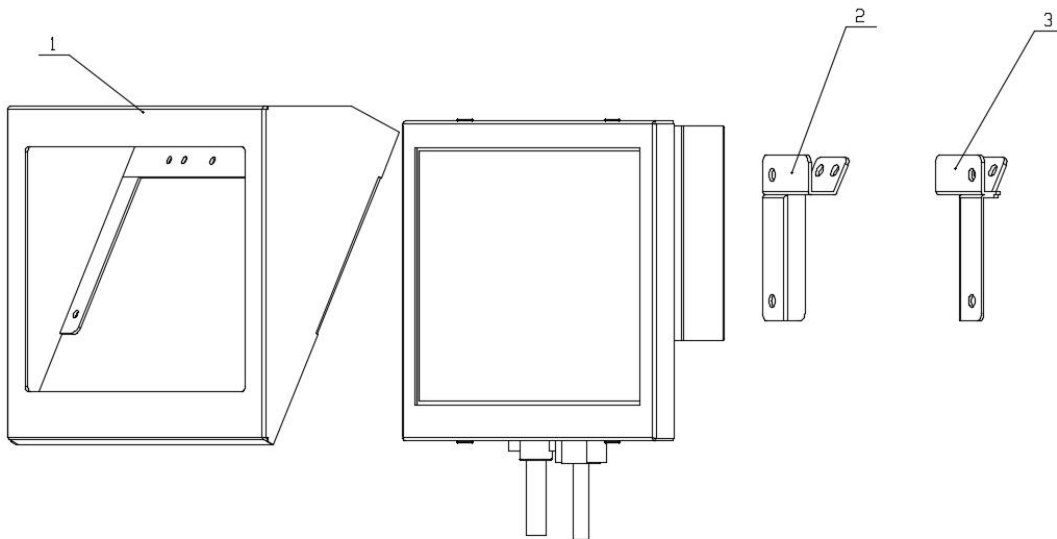
No.	Part No.	Code No.	Name	Version	Qty
1	E120-1601-00	2.60.00027000	4" speaker net	V1.1	4
2	E120-1602-00	201.08.04.0011	Isolation column	V1.1	16
3	E120-1603-00	202.4.2230.118	Counter plate	V1.1	4
4	E120-1604-00	202.4.2230.119	Button plate	V1.1	4
5	E120-1605-00	206.4.2230.011	Power PVC	V1.1	1
6	E120-1606-00	202.4.2230.023	Power wiring blocking plate	V1.1	1
7	E120-1607-00	202.4.2230.028	Power supply plate	V1.1	2
8	E120-1608-00	202.4.2230.024	PC fixing plate	V1.1	1
9	E120-1609-00	202.4.2002.044	Small power pressing plate	V1.1	2
10	E120-1610-00	202.4.2230.022	Power plate	V1.1	1
11	E120-1611-00	202.1.1707.041	Small pressing plate	V1.1	2
12	E120-1612-00	2.60.00055000	Dongle plate	V1.1	1
13	E120-1613-00	2.66.03.030544	GND bar	V1.1	4
14	E120-1614-00	202.4.2230.096	Arrow light bracket	V1.1	4
15	E120-1615-00	2.60.00064000	Recovery stick fixing plate	V1.1	1
16	E120-1616-00	202.4.2230.027	Up-down button plate	V1.1	1
17	E120-1617-00	206.4.2230.079	Water-proof PVC	V1.1	4

9.12 Top Marquee



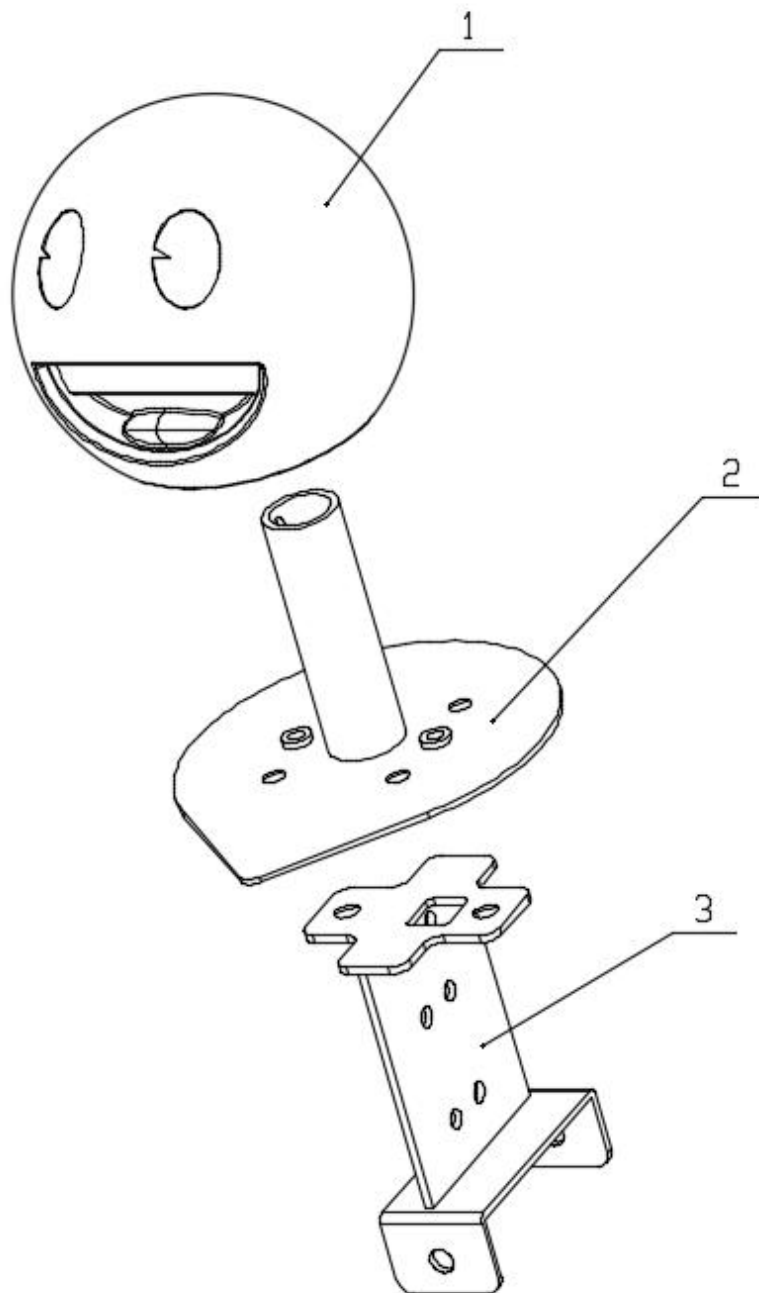
No.	Part No.	Code No.	Name	Version	Qty
1	E120-1501-00	202.4.2230.136	Marquee plate	V1.1	1
2	E120-1502-01	202.4.2230.195	Fixing needle	V1.1	2
3	E120-1503-00	205.4.2230.005A	Top marquee LOGO	V1.1	2
4	E120-1504-00	206.4.2230.058	Marquee light plastic A	V1.1	1
5	E120-1505-00	206.4.2230.059	Marquee light plastic B	V1.1	1

9.13 Monitor Frame Assembly



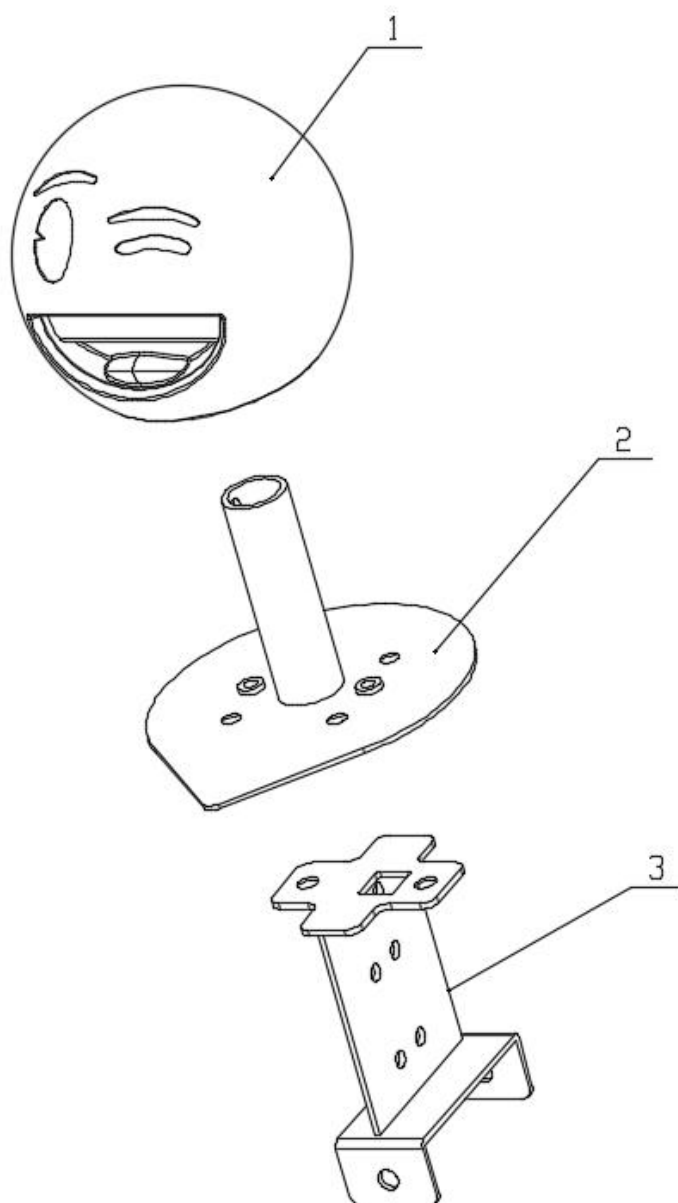
No.	Part No.	Code No.	Name	Version	Qty
1	E120-0501-00	202.4.2230.141	Monitor frame	V1.1	1×4
2	E120-0502-00	202.4.2230.142	Monitor L pressing plate	V1.1	1×4
3	E120-0503-00	202.4.2230.143	Monitor R pressing plate	V1.1	1×4

9.14 Laughing Character Assembly



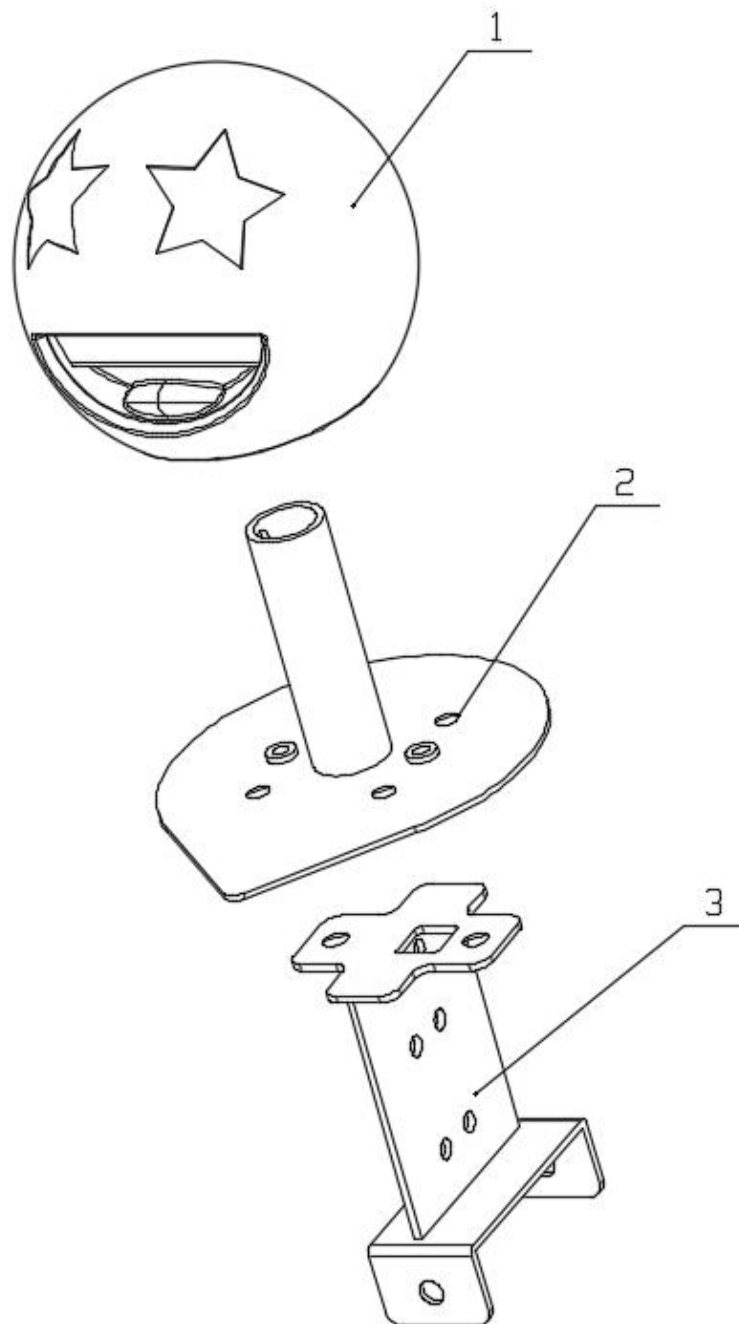
No.	Part No.	Code No.	Name	Version	Qty
1	E120-0901-00	206.4.2230.040	Laughing character	V1.1	1
2	E120-0302-01	202.4.2230.196	Character base plate	V1.1	1
3	E120-0903-00	202.4.2230.112	Middle support plate	V1.1	1

9.15 Wink Character Assembly



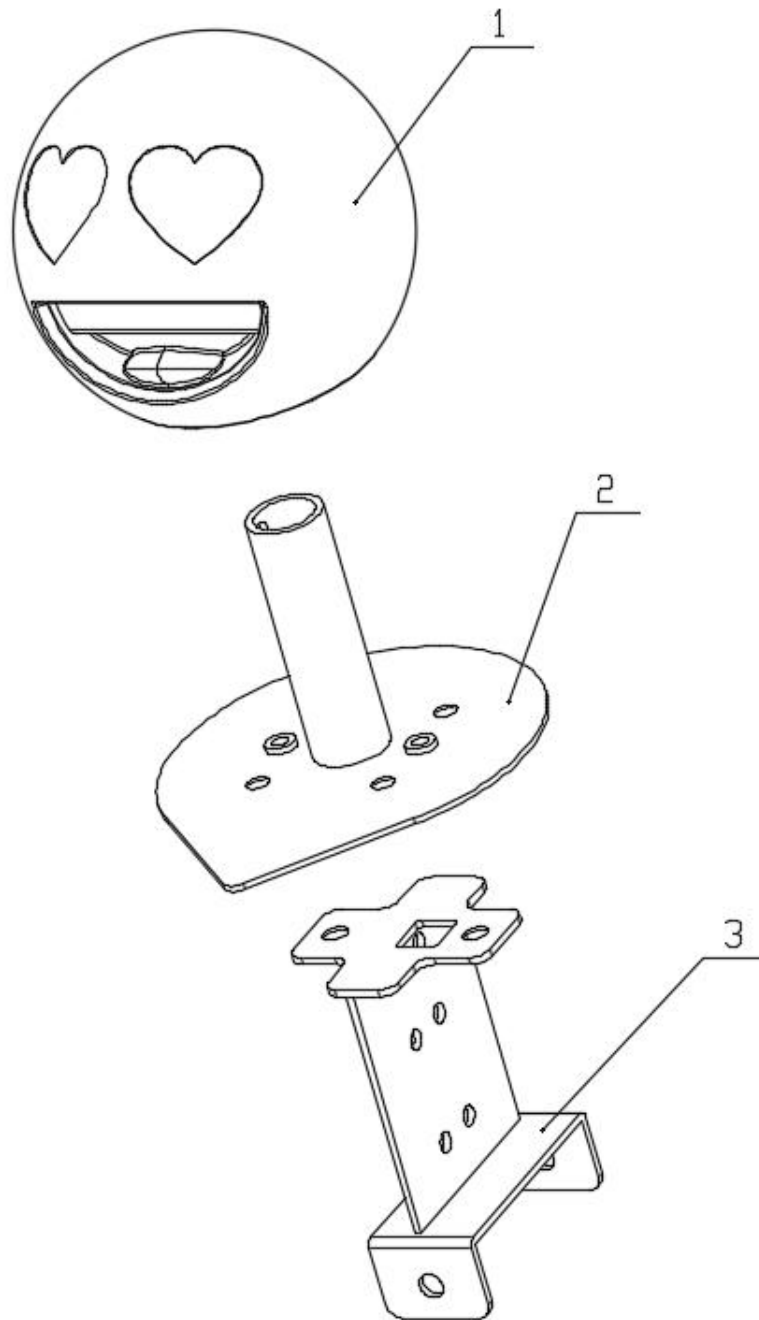
No.	Part No.	Code No.	Name	Version	Qty
1	E120-0601-00	206.4.2230.042	Wink character	V1.1	1
2	E120-0302-01	202.4.2230.196	Character base plate	V1.1	1
3	E120-0303-00	202.4.2230.112	Middle support plate	V1.1	1

9.16 Star-wink Character Assembly



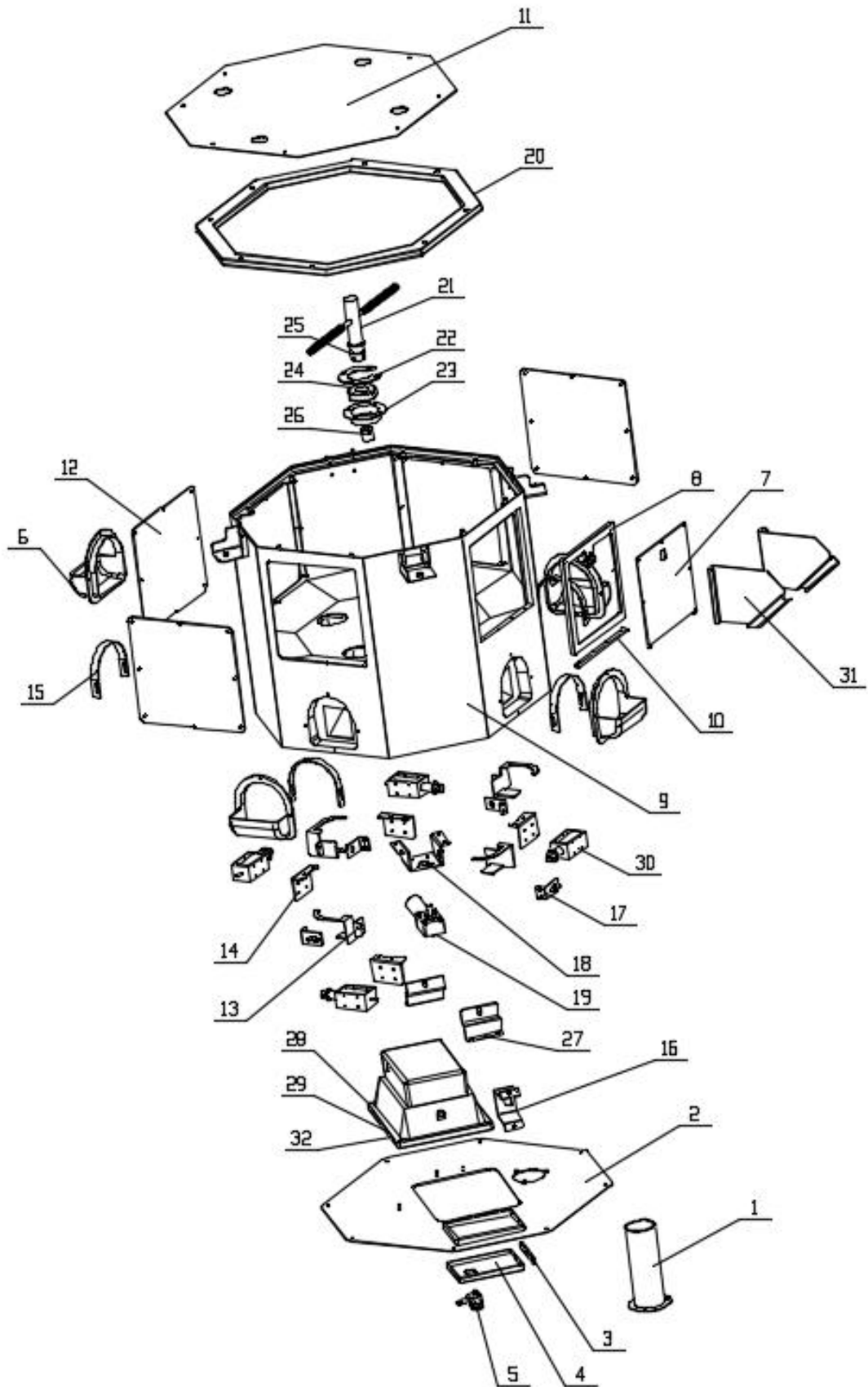
No.	Part No.	Code No.	Name	Version	Qty
1	E120-0401-00	206.4.2230.043	Star-wink character	V1.1	1
2	E120-0302-01	202.4.2230.196	Character base plate	V1.1	1
3	E120-0303-00	202.4.2230.112	Middle support plate	V1.1	1

9.17 Heart Character Assembly



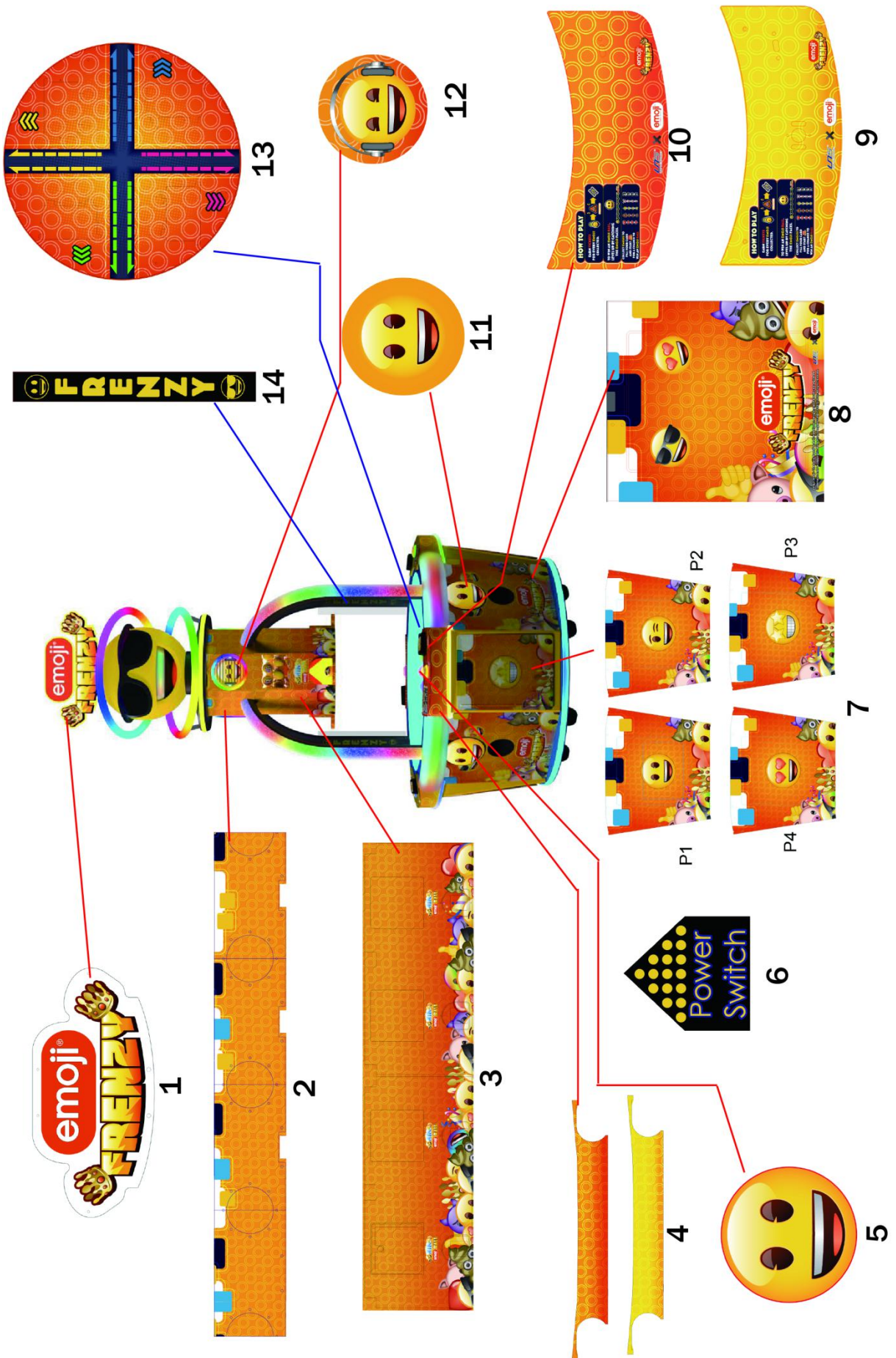
No.	Part No.	Code No.	Name	Version	Qty
1	E120-0301-00	206.4.2230.044	Heart character	V1.1	1
2	E120-0302-01	202.4.2230.196	Character base plate	V1.1	1
3	E120-0303-00	202.4.2230.112	Middle support plate	V1.1	1

9.18 Hopper Assembly



No.	Part No.	Code No.	Name	Version	Qty
1	E120-1202-00	202.4.2230.172	Clear ball blocking plate	V1.1	1
2	E120-1203-00	202.4.2230.169	Hopper bottom blanking plate	V1.1	1
3	E120-1204-00	202.4.2230.174	Bottom hinge	V1.1	1
4	E120-1205-00	202.4.2230.173	Bottom door plate	V1.1	1
5	E120-1206-00	2.53.00171001	171A lock	V1.1	2
6	E120-1207-00	2.59.00025028	Ball frame ABS	V1.1	4
7	E120-1208-00	206.4.2230.083	Hopper clear door	V1.1	1
8	E120-1209-00	202.4.2230.171	Hopper clear door frame	V1.1	1
9	E120-1210-00	202.4.2230.168	Hopper frame	V1.1	1
10	E120-1211-00	202.4.2230.170	Hopper clear door hinge	V1.1	1
11	E120-1212-00	202.4.2230.183	Hopper upper blanking plate	V1.1	1
12	E120-1213-00	206.4.2230.082	Hopper plastic	V1.1	3
13	E120-1214-00	202.4.2230.181	Blocking plate	V1.1	4
14	E120-1215-00	202.4.2230.180	Solenoid fixing plate	V1.1	4
15	E120-1216-00	206.4.2230.085	Ball-out mounting PVC	V1.1	4
16	E120-1217-00	202.4.2230.182	SW mounting plate	V1.1	1
17	E120-1218-00	202.4.2230.184	Sensor mounting plate	V1.1	4
18	E120-1219-00	202.4.2230.178	Motor mounting plate	V1.1	1
19	E120-1220-00	2.34.04.000265	DC motor	V1.1	1
20	E120-1221-00	206.4.2230.084	Hopper upper light plastic	V1.1	4
21	E120-1222-00	202.4.2230.179	Ball stirring rod	V1.1	1
22	E120-1224-00	202.4.2230.175	Bearing cover plate	V1.1	1
23	E120-1225-00	202.4.2230.176	Bearing plate	V1.1	1
24	E120-1226-00	201.06.000057	Bearing	V1.1	1
25	E120-1227-00	201.05.000029	A washer	V1.1	1
26	E120-1228-00	202.4.2230.177	Connect axle	V1.1	1
27	E120-1229-00	202.1.1707R.084	Black light plate	V1.1	2
28	E120-1230-00	206.1.1707R.033	Long light buffer foam	V1.1	2
29	E120-1231-00	206.1.1707R.034	Short light buffer foam	V1.1	2
30	E120-1240-00	2.35.01.050006	Solenoid	V1.1	4
31	E120-1241-00	206.4.2230.088	Door blocking PVC	V1.1	1
32	E120-1201-00	2.20.03.230002	Black light	V1.1	1

9.19 Decal Part



No.	Part No.	Code No.	Name	Version	Qty
1	E120-1503-00	205.4.2230.005A	Top marquee LOGO	V1.1	2
2	E120-1814-00	205.4.2230.011	Marquee base decal	V1.1	1
3	E120-1834-00	205.4.2230.029	Hopper decal	V1.1	1
4	E120-1816-00	205.4.2230.013	Ctrl. panel bottom decal	V1.1	4
5	E120-1817-00	205.4.2230.014	Start button decal	V1.1	4
6	E120-1819-00	205.4.2230.018	Power switch decal	V1.1	1
7	E120-1812-00	205.4.2230.009	Coin door decal	V1.1	1
8	E120-1813-00	205.4.2230.010	Speaker door decal	V1.1	4
9	E120-0102-01	205.4.2230.006B	Ctrl. panel decal 2	V1.1	2
10	E120-0101-01	205.4.2230.002B	Ctrl. panel decal 1	V1.1	2
11	E120-0006-00	205.4.2230.003	Coin door character PC	V1.1	4
12	E120-1815-00	205.4.2230.012	Hopper speaker decal	V1.1	4
13	E120-0003-00	205.4.2230.001	Playfiled plastic	V1.1	1
14	E120-1831-00	205.4.2230.033	Column decal	V1.1	4



1

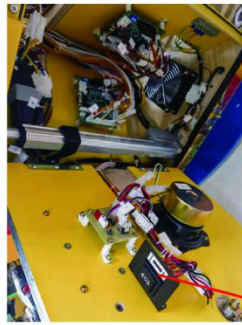


2

No.	Part No.	Code No.	Name	Version	Qty
1	E120-0101-00	205.4.2230.002A	Ctrl. panel decal 1	V1.1	2
2	E120-0102-00	205.4.2230.006A	Ctrl. panel decal 2	V1.1	2



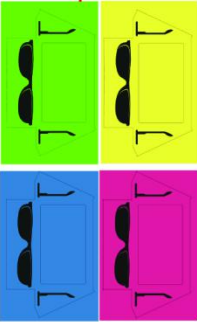
1



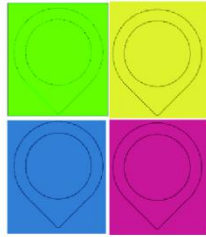
**DEDICATED CARD
READER POWER
SUPPLY 12VDC**



3



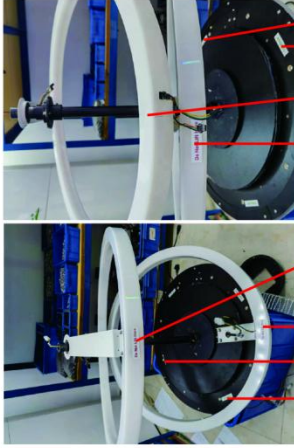
13



4

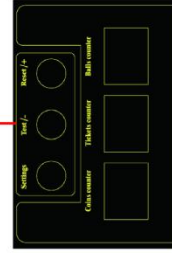


5



Do Not Lift Here
Do Not Lift Here
Lift Here
Lift Here

6



12



**FOR PARTS AND SERVICE
CONTACT UNIS USA
972 241 4263**

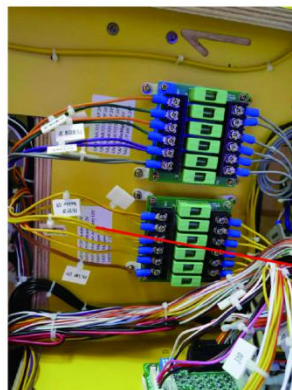
**!!! WARNING!!!
DO NOT OPEN THE MAIN CABINET DOOR!
!!! ATTENTION !!!
No part interference with power grid combination
after installation.**

**THIS GAME SHOULD BE
SERVICED BY AUTHORIZED
PERSONNEL ONLY**

8

9

10



- 5A/F1/1P/2P Monitor 12V
- 5A/F2/3P/4P Monitor 12V
- 5A/F3/ Bopper Assembly 12V
- 5A/F4/ 1P Motor 24V
- 5A/F5/ 2P Motor 24V
- 5A/F6/ 3P Motor 24V
- 5A/F7/ 4P Motor 24V
- 5A/F8/ Backlight 24V
- 5A/F9/ 1P Motor 24V
- 5A/F10/ 2P Motor 24V
- 5A/F11/ LIGHT 12V
- 5A/F12/ UE-10 1 12V
- 5A/F13/ UE-10 2 12V
- 5A/F14/ UE-10 Light 12V
- 5A/F15/ 4P Column Light 24V
- 5A/F16/ 4P Column Light 24V
- 5A/F17/ 4P/3P Patch 3V

7

- F1/ Rotation motor 12V
- F2/ Yellow light strip(base) 12V
- F3/ Big Emoji header light strip 12V
- F6/ 1000 Light 12V

Pin	1	2	3	4	5	6	7	8	9	10	11	12	13	14	15	16	17	18	19	20	21	22	23	24	25	26	27	28	29	30	31	32	33	34	35	36	37	38	39	40
1	2	3	4	5	6	7	8	9	10	11	12	13	14	15	16	17	18	19	20	21	22	23	24	25	26	27	28	29	30	31	32	33	34	35	36	37	38	39	40	

11

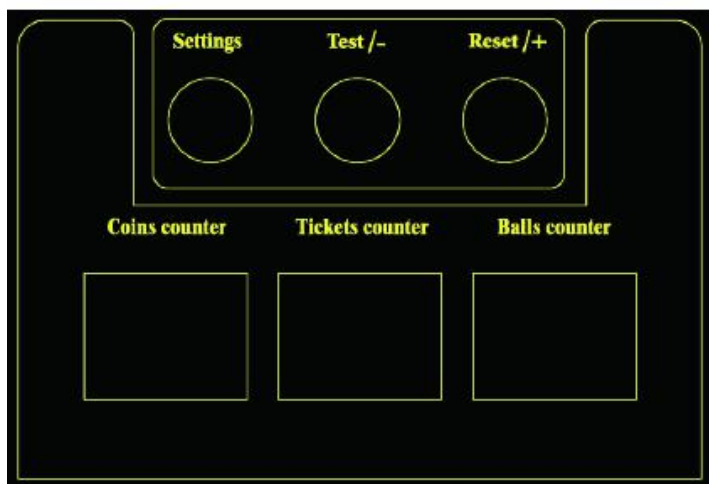
No.	Part No.	Code No.	Name	Version	Qty
1	E120-1826-00	205.4.2230.026	PC wiring instruction	V1.1	1
2	E120-1832-00	205.4.2230.028	Up-down button PVC	V1.1	1
3	E120-1801-00	205.1.1605A.040	Adapter PVC	V1.1	1
4	E120-1829-00	205.4.2230.031	Emoji character base decal	V1.1	4
5	E120-1818-00	205.4.2230.015	Column mention decal	V1.1	1
6	E120-1828-00	205.4.2230.030	Do not lift here decal	V1.1	1
7	E120-1824-00	205.4.2230.024	Fuse instruction decal	V1.1	1
8	E120-1810-00	2.56.00.000095A	Service decal(L)	V1.1	1
9	E120-1806-00	2.56.00.000067A	Service decal(yellow)	V1.1	1
10	E120-1805-00	2.56.00.000042A	Service decal(green)	V1.1	1
11	E120-1822-00	205.4.2230.022	Wiring decal PVC	V1.1	1
12	E120-1821-00	205.4.2230.021	Counter decal	V1.1	1
13	E120-1823-00	205.4.2230.023	Monitor frame decal	V1.1	1

5A/F1/1P/2P Monitor 12V
 5A/F2/3P/4P Monitor 12V
 5A/F3/ Hopper Assembly 12V
 5A/F4/ Marquee 12V
 5A/F5/ Marquee 12V
 5A/F6/AMP 12V

5A/F1/MOTOR 1P 24V
 5A/F2/MOTOR 2P 24V
 5A/F3/MOTOR 3P 24V
 5A/F4/MOTOR 4P 24V
 5A/F5/Blacklight 24V
 5A/F6/UP MOTOR 24V

5A/F1/LIGHT 12V
 5A/F2/U6-IO 1 12V
 5A/F3/U6-IO 2 12V
 5A/F4/U6-light 12V
 5A/F5/1P/2P Column light 12V
 5A/F6/3P/4P Column light 12V
 5A/F1-F6/display pitch 5V

F1/ Rotation motor 12V
 F2/Yellow light strip(base) 12V
 F5/Big Emoji header light strip 12V
 F6/LOGO light 12V



2

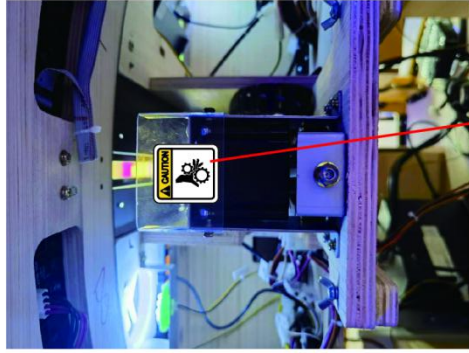
1

No.	Part No.	Code No.	Name	Version	Qty
1	E120-1824-00	205.4.2230.024	Fuse instruction decal	V1.1	1
2	E120-1821-00	205.4.2230.021	Counter decal	V1.1	1

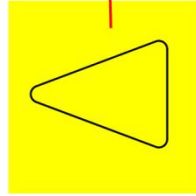
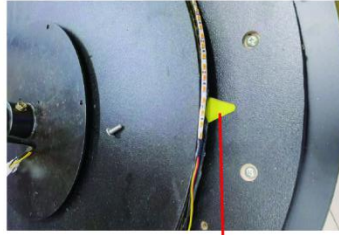


FOR PARTS AND SERVICE
CONTACT UNIS USA
972-241-4263

8



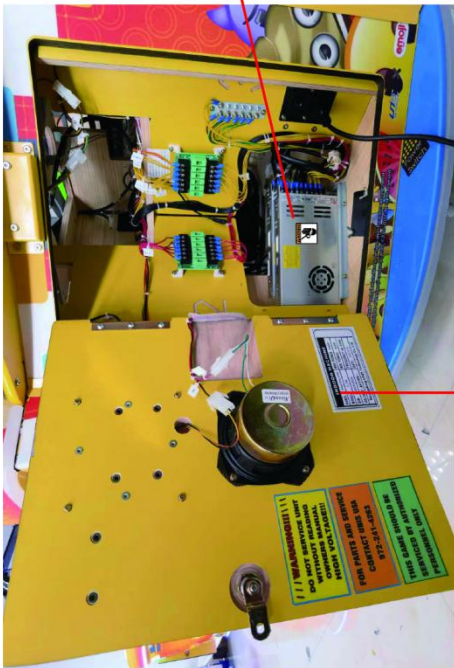
7



3



2



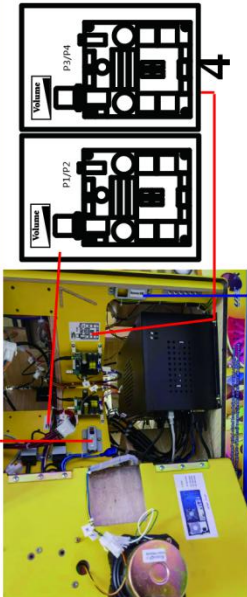
Suitable for Indoor Use Only

NAME: Emoji Frenzy D&B	POWER: 450W—630W
MODEL: C-758	FREQUENCY: 60Hz
VOLTAGE: AC110V ~	DATE:
S/N:	

Guangdong UNIS Technology Co.,Ltd.

FOR YOUR SAFETY — READ OPERATION MANUAL BEFORE SERVING — INDOOR USE ONLY
Pour une raison de sécurité, lisez le manuel d'utilisation avant de servir et car à l'intérieur.
Attention: lire le manuel d'utilisation.

1



4

Dongle

5

RECOVERY STICK

6

J174	J175	J176	J177	J178	J179	J180	J181	J182	J183	J184	J185	J186	J187	J188	J189	J190	J191	J192	J193	J194	J195	J196	J197	J198	J199	J200	J201	J202	J203	J204	J205	J206	J207	J208	J209	J210	J211	J212	J213	J214	J215	J216	J217	J218	J219	J220	J221	J222	J223	J224	J225	J226	J227	J228	J229	J230	J231	J232	J233	J234	J235	J236	J237	J238	J239	J240	J241	J242	J243	J244	J245	J246	J247	J248	J249	J250	J251	J252	J253	J254	J255	J256	J257	J258	J259	J260	J261	J262	J263	J264	J265	J266	J267	J268	J269	J270	J271	J272	J273	J274	J275	J276	J277	J278	J279	J280	J281	J282	J283	J284	J285	J286	J287	J288	J289	J290	J291	J292	J293	J294	J295	J296	J297	J298	J299	J300	J301	J302	J303	J304	J305	J306	J307	J308	J309	J310	J311	J312	J313	J314	J315	J316	J317	J318	J319	J320	J321	J322	J323	J324	J325	J326	J327	J328	J329	J330	J331	J332	J333	J334	J335	J336	J337	J338	J339	J340	J341	J342	J343	J344	J345	J346	J347	J348	J349	J350	J351	J352	J353	J354	J355	J356	J357	J358	J359	J360	J361	J362	J363	J364	J365	J366	J367	J368	J369	J370	J371	J372	J373	J374	J375	J376	J377	J378	J379	J380	J381	J382	J383	J384	J385	J386	J387	J388	J389	J390	J391	J392	J393	J394	J395	J396	J397	J398	J399	J400	J401	J402	J403	J404	J405	J406	J407	J408	J409	J410	J411	J412	J413	J414	J415	J416	J417	J418	J419	J420	J421	J422	J423	J424	J425	J426	J427	J428	J429	J430	J431	J432	J433	J434	J435	J436	J437	J438	J439	J440	J441	J442	J443	J444	J445	J446	J447	J448	J449	J450	J451	J452	J453	J454	J455	J456	J457	J458	J459	J460	J461	J462	J463	J464	J465	J466	J467	J468	J469	J470	J471	J472	J473	J474	J475	J476	J477	J478	J479	J480	J481	J482	J483	J484	J485	J486	J487	J488	J489	J490	J491	J492	J493	J494	J495	J496	J497	J498	J499	J500	J501	J502	J503	J504	J505	J506	J507	J508	J509	J510	J511	J512	J513	J514	J515	J516	J517	J518	J519	J520	J521	J522	J523	J524	J525	J526	J527	J528	J529	J530	J531	J532	J533	J534	J535	J536	J537	J538	J539	J540	J541	J542	J543	J544	J545	J546	J547	J548	J549	J550	J551	J552	J553	J554	J555	J556	J557	J558	J559	J560	J561	J562	J563	J564	J565	J566	J567	J568	J569	J570	J571	J572	J573	J574	J575	J576	J577	J578	J579	J580	J581	J582	J583	J584	J585	J586	J587	J588	J589	J590	J591	J592	J593	J594	J595	J596	J597	J598	J599	J600	J601	J602	J603	J604	J605	J606	J607	J608	J609	J610	J611	J612	J613	J614	J615	J616	J617	J618	J619	J620	J621	J622	J623	J624	J625	J626	J627	J628	J629	J630	J631	J632	J633	J634	J635	J636	J637	J638	J639	J640	J641	J642	J643	J644	J645	J646	J647	J648	J649	J650	J651	J652	J653	J654	J655	J656	J657	J658	J659	J660	J661	J662	J663	J664	J665	J666	J667	J668	J669	J670	J671	J672	J673	J674	J675	J676	J677	J678	J679	J680	J681	J682	J683	J684	J685	J686	J687	J688	J689	J690	J691	J692	J693	J694	J695	J696	J697	J698	J699	J700	J701	J702	J703	J704	J705	J706	J707	J708	J709	J710	J711	J712	J713	J714	J715	J716	J717	J718	J719	J720	J721	J722	J723	J724	J725	J726	J727	J728	J729	J730	J731	J732	J733	J734	J735	J736	J737	J738	J739	J740	J741	J742	J743	J744	J745	J746	J747	J748	J749	J750	J751	J752	J753	J754	J755	J756	J757	J758	J759	J760	J761	J762	J763	J764	J765	J766	J767	J768	J769	J770	J771	J772	J773	J774	J775	J776	J777	J778	J779	J780	J781	J782	J783	J784	J785	J786	J787	J788	J789	J790	J791	J792	J793	J794	J795	J796	J797	J798	J799	J800	J801	J802	J803	J804	J805	J806	J807	J808	J809	J810	J811	J812	J813	J814	J815	J816	J817	J818	J819	J820	J821	J822	J823	J824	J825	J826	J827	J828	J829	J830	J831	J832	J833	J834	J835	J836	J837	J838	J839	J840	J841	J842	J843	J844	J845	J846	J847	J848	J849	J850	J851	J852	J853	J854	J855	J856	J857	J858	J859	J860	J861	J862	J863	J864	J865	J866	J867	J868	J869	J870	J871	J872	J873	J874	J875	J876	J877	J878	J879	J880	J881	J882	J883	J884	J885	J886	J887	J888	J889	J890	J891	J892	J893	J894	J895	J896	J897	J898	J899	J900	J901	J902	J903	J904	J905	J906	J907	J908	J909	J910	J911	J912	J913	J914	J915	J916	J917	J918	J919	J920	J921	J922	J923	J924	J925	J926	J927	J928	J929	J930	J931	J932	J933	J934	J935	J936	J937	J938	J939	J940	J941	J942	J943	J944	J945	J946	J947	J948	J949	J950	J951	J952	J953	J954	J955	J956	J957	J958	J959	J960	J961	J962	J963	J964	J965	J966	J967	J968	J969	J970	J971	J972	J973	J974	J975	J976	J977	J978	J979	J980	J981	J982	J983	J984	J985	J986	J987	J988	J989	J990	J991	J992	J993	J994	J995	J996	J997	J998	J999	J1000
------	------	------	------	------	------	------	------	------	------	------	------	------	------	------	------	------	------	------	------	------	------	------	------	------	------	------	------	------	------	------	------	------	------	------	------	------	------	------	------	------	------	------	------	------	------	------	------	------	------	------	------	------	------	------	------	------	------	------	------	------	------	------	------	------	------	------	------	------	------	------	------	------	------	------	------	------	------	------	------	------	------	------	------	------	------	------	------	------	------	------	------	------	------	------	------	------	------	------	------	------	------	------	------	------	------	------	------	------	------	------	------	------	------	------	------	------	------	------	------	------	------	------	------	------	------	------	------	------	------	------	------	------	------	------	------	------	------	------	------	------	------	------	------	------	------	------	------	------	------	------	------	------	------	------	------	------	------	------	------	------	------	------	------	------	------	------	------	------	------	------	------	------	------	------	------	------	------	------	------	------	------	------	------	------	------	------	------	------	------	------	------	------	------	------	------	------	------	------	------	------	------	------	------	------	------	------	------	------	------	------	------	------	------	------	------	------	------	------	------	------	------	------	------	------	------	------	------	------	------	------	------	------	------	------	------	------	------	------	------	------	------	------	------	------	------	------	------	------	------	------	------	------	------	------	------	------	------	------	------	------	------	------	------	------	------	------	------	------	------	------	------	------	------	------	------	------	------	------	------	------	------	------	------	------	------	------	------	------	------	------	------	------	------	------	------	------	------	------	------	------	------	------	------	------	------	------	------	------	------	------	------	------	------	------	------	------	------	------	------	------	------	------	------	------	------	------	------	------	------	------	------	------	------	------	------	------	------	------	------	------	------	------	------	------	------	------	------	------	------	------	------	------	------	------	------	------	------	------	------	------	------	------	------	------	------	------	------	------	------	------	------	------	------	------	------	------	------	------	------	------	------	------	------	------	------	------	------	------	------	------	------	------	------	------	------	------	------	------	------	------	------	------	------	------	------	------	------	------	------	------	------	------	------	------	------	------	------	------	------	------	------	------	------	------	------	------	------	------	------	------	------	------	------	------	------	------	------	------	------	------	------	------	------	------	------	------	------	------	------	------	------	------	------	------	------	------	------	------	------	------	------	------	------	------	------	------	------	------	------	------	------	------	------	------	------	------	------	------	------	------	------	------	------	------	------	------	------	------	------	------	------	------	------	------	------	------	------	------	------	------	------	------	------	------	------	------	------	------	------	------	------	------	------	------	------	------	------	------	------	------	------	------	------	------	------	------	------	------	------	------	------	------	------	------	------	------	------	------	------	------	------	------	------	------	------	------	------	------	------	------	------	------	------	------	------	------	------	------	------	------	------	------	------	------	------	------	------	------	------	------	------	------	------	------	------	------	------	------	------	------	------	------	------	------	------	------	------	------	------	------	------	------	------	------	------	------	------	------	------	------	------	------	------	------	------	------	------	------	------	------	------	------	------	------	------	------	------	------	------	------	------	------	------	------	------	------	------	------	------	------	------	------	------	------	------	------	------	------	------	------	------	------	------	------	------	------	------	------	------	------	------	------	------	------	------	------	------	------	------	------	------	------	------	------	------	------	------	------	------	------	------	------	------	------	------	------	------	------	------	------	------	------	------	------	------	------	------	------	------	------	------	------	------	------	------	------	------	------	------	------	------	------	------	------	------	------	------	------	------	------	------	------	------	------	------	------	------	------	------	------	------	------	------	------	------	------	------	------	------	------	------	------	------	------	------	------	------	------	------	------	------	------	------	------	------	------	------	------	------	------	------	------	------	------	------	------	------	------	------	------	------	------	------	------	------	------	------	------	------	------	------	------	------	------	------	------	------	------	------	------	------	------	------	------	------	------	------	------	------	------	------	------	------	------	------	------	------	------	------	------	------	------	------	------	------	------	------	------	------	------	------	------	------	------	------	------	------	------	------	------	------	------	------	------	------	-------

9

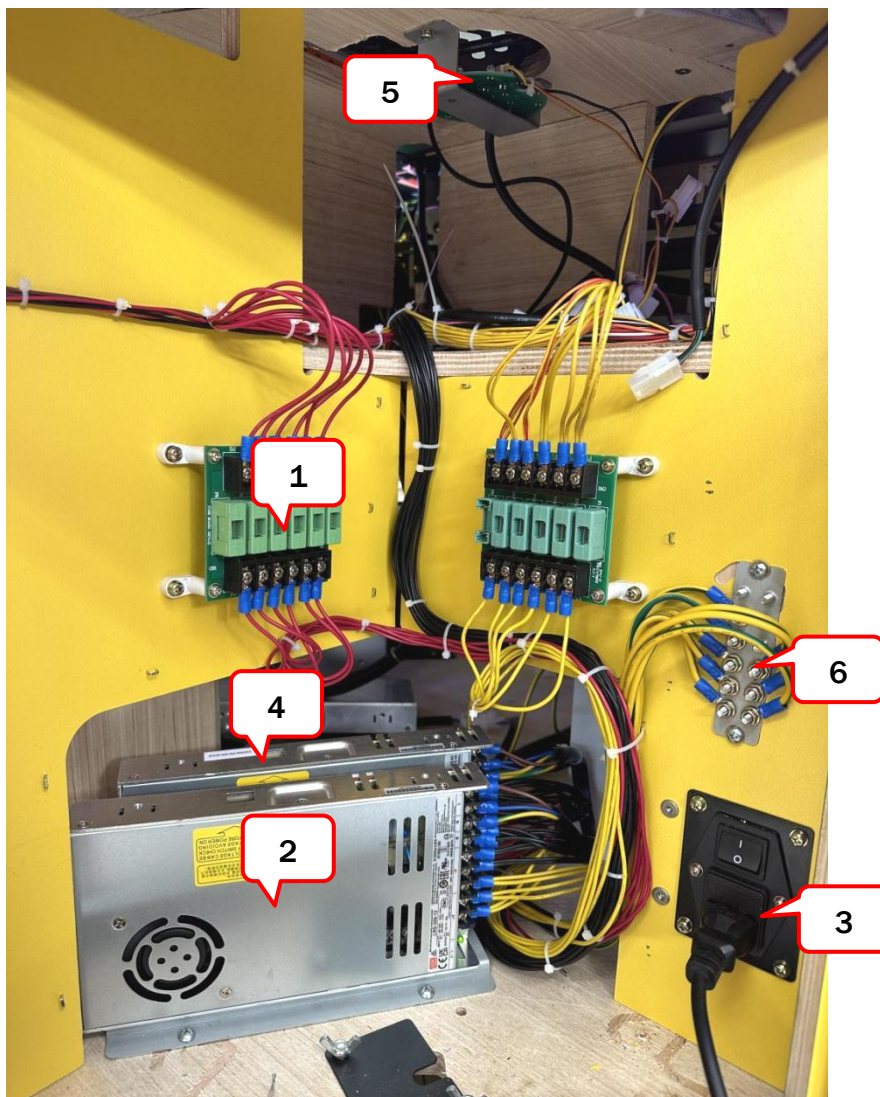
No.	Part No.	Code No.	Name	Version	Qty
1	E120-1825-00	205.4.2230.025	110V nameplate(TUV)	V1.1	1
2	E120-1804-00	2.56.00.000036	High voltage label(S)	V1.1	5
3	E120-1830-00	205.4.2230.032	Marquee base arrow PVC	V1.1	1
4	E120-1820-00	205.4.2230.020	Volume PVC	V1.1	1
5	E120-1809-00	2.56.00.000093	Dongle decal	V1.1	1
6	E120-1802-00	2.56.00.000116	Recovery stick decal	V1.1	1
7	E120-1827-00	2.56.00.000054	Caution decal	V1.1	4
8	E120-1811-00	2.56.00.000096A	Service decal(S)	V1.1	4
9	E120-1833-00	205.4.2230.034	Wiring decal PVC 2	V1.1	1

9.20 Electrical Components

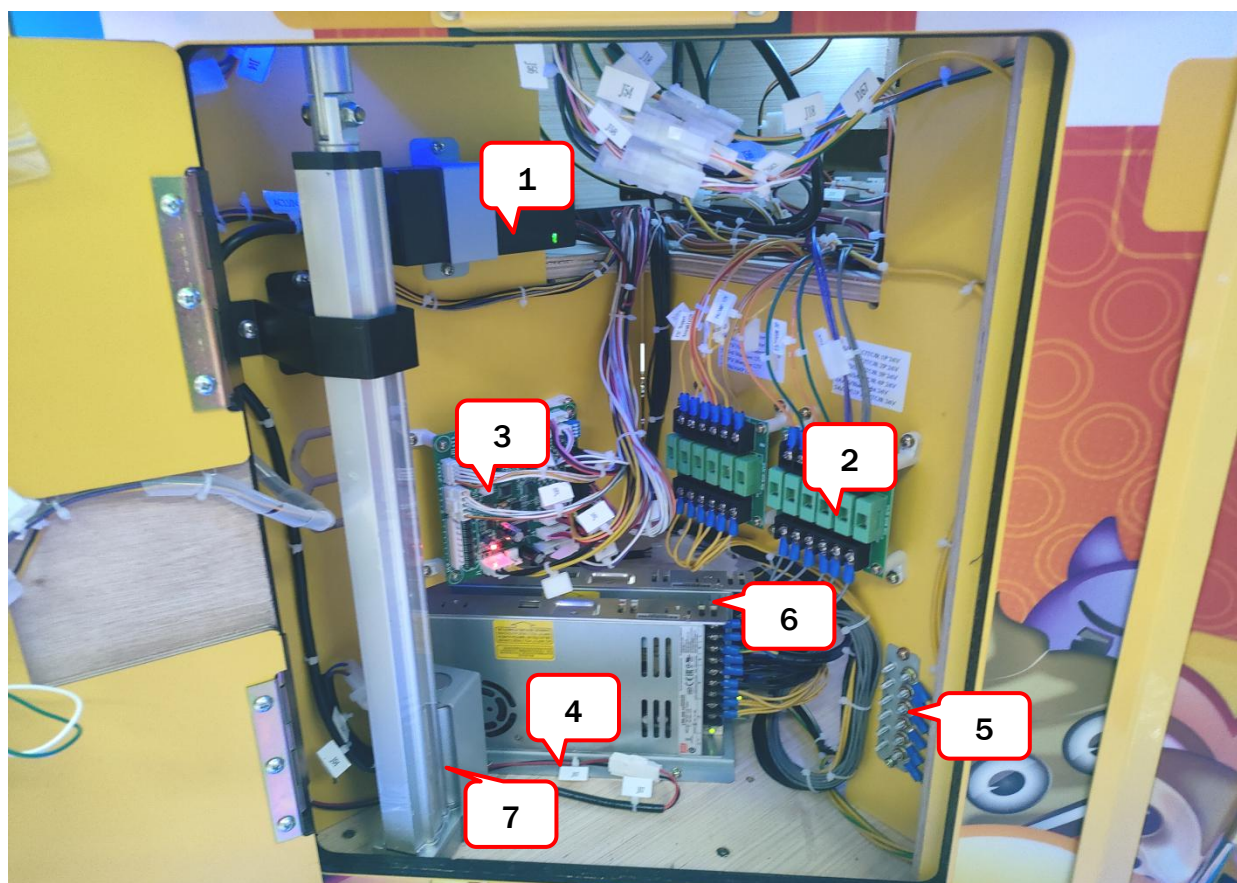


No.	Part No.	Code No.	Name	Version	Qty
1	E120-1928-00	2.12.01.000059	8" monitor	V1.1	1×4
	E120-1933-00	2.33.07.000044	HDMI cable	V1.1	1×4
2	E120-1909-00	2.28.01.000047	4" Speaker	V1.1	1×4
3	E120-1938-00	2.24.01.230002	Button with light	V1.1	1×4
4	E120-1909-00	2.28.01.000047	4" Speaker(top speaker box)	V1.1	1×4
	E120-1925-00	2.20.02.020092	2811 RGB light strip	V1.1	19.68 in×4 (500mm×4)
5	E120-1925-00	2.20.02.020092	2811 RGB light	V1.1	78.74 in×4 (2000mm×4)
6	E120-1923-00	2.20.02.020060	2835 blue light strip	V1.1	21.65 in×4 (550mm×4)
7	E120-1980-00	2.17.04.000280	Display pitch	V1.1	15
8	E120-1919-00	297.6.2303001	Door character light board	V1.1	1×4
9	E120-1923-00	2.20.02.020060	2835 blue light strip	V1.1	155.51in (3950mm)

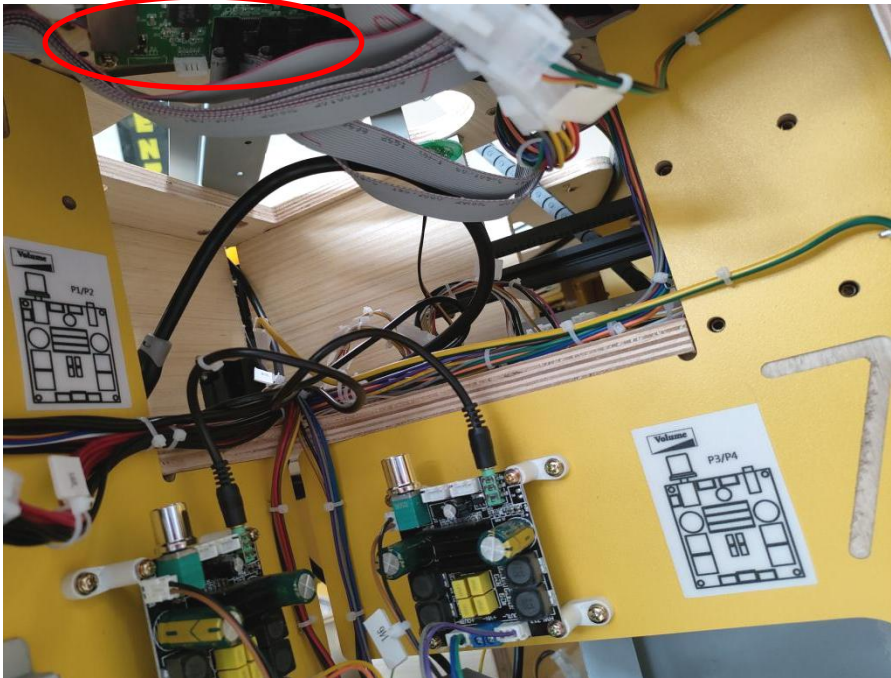
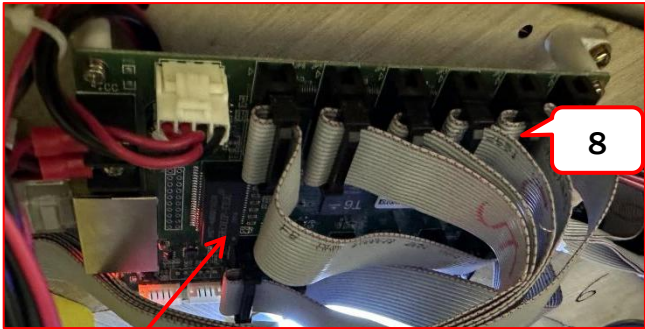
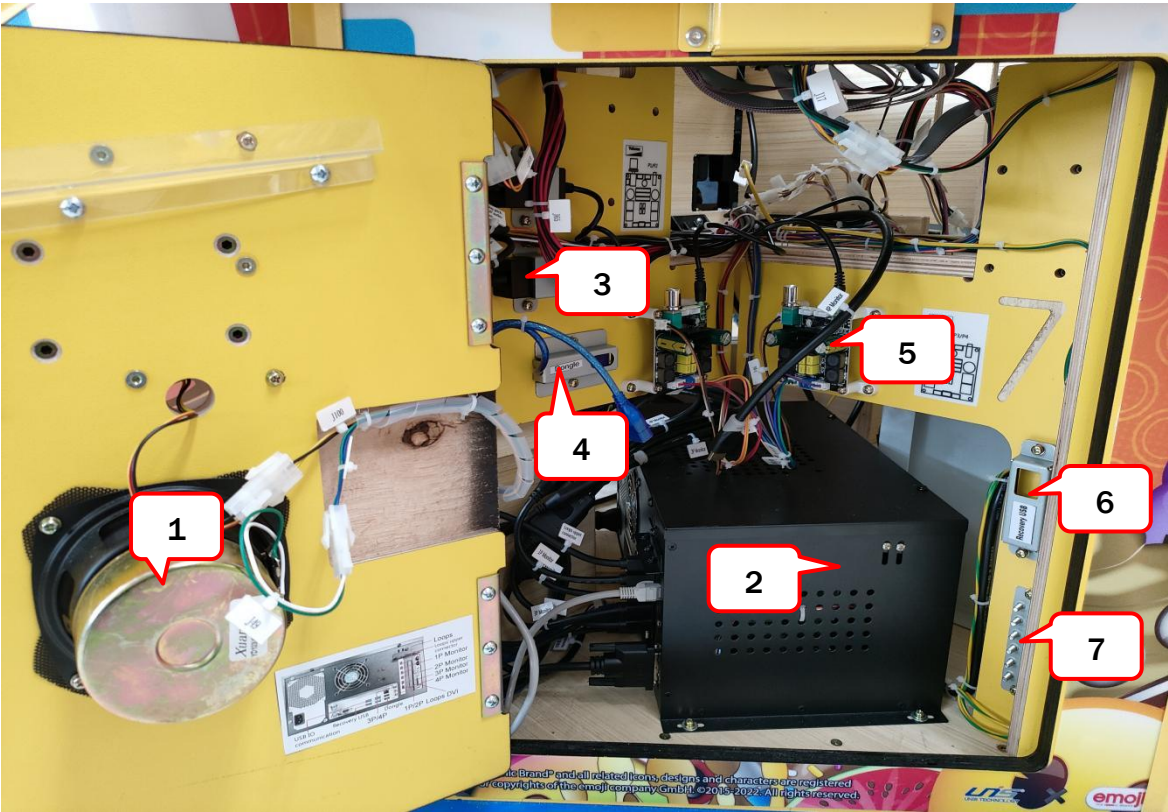
No.	Part No.	Code No.	Name	Version	Qty
10	E120-1963-00	2.20.02.020057	2835 yellow light strip	V1.2	48.42 in (1230mm)
11	E120-1925-00	2.20.02.020092	2811 RGB light	V1.1	177.16 in (4500mm)
12	E120-1956-00	2.20.02.015019	BG5050W white light strip	V1.1	190.94 in (4850mm)
13	E120-1923-00	2.20.02.020060	2835 blue light strip	V1.1	76.77 in (1950mm)
14	E120-1925-00	2.20.02.020092	2811 RGB light	V1.1	43.30 in×4 (1100mm×4)
15	E120-1923-00	2.20.02.020060	2835 blue light strip	V1.1	141.73 in (3600mm)
16	E120-1244-00	2.20.02.020036	5050 Green light strip	V1.2	5.90 in (150mm)
	E120-1245-00	2.20.02.020095	5050 Blue light strip	V1.1	5.90 in (150mm)
	E120-1246-00	2.20.02.020033	5050 Yellow light strip	V1.2	5.90 in (150mm)
	E120-1247-00	2.20.02.020034	5050 Pink light strip	V1.2	5.90 in (150mm)
17	E120-1248-00	2.20.02.015021	BG5050RGB light strip	V1.1	64.96 in (1650mm)



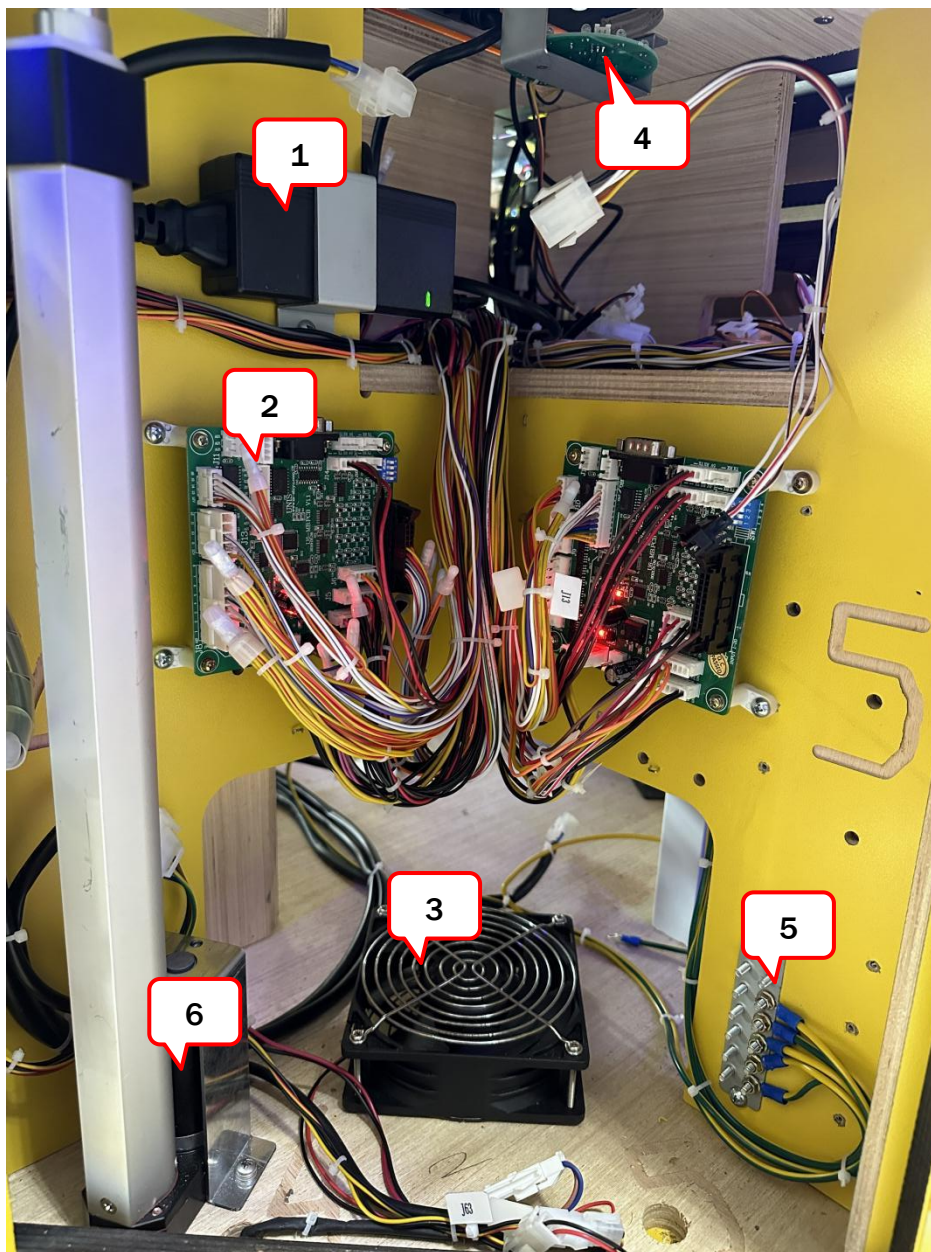
No.	Part No.	Code No.	Name	Version	Qty
1	E120-1910-00	2.17.14.000243A	Fuse board	V1.1	2
2	E120-1916-00	2.16.02.000117	Power supply(12V)	V1.1	1
3	E120-1936-00	2.32.01000009	Filter	V1.2	1
4	E120-1915-00	2.16.02.020005	Power supply(5V)	V1.1	1
5	E120-1920-00	297.6.2303002	Arrow light	V1.1	1
6	E120-1613-00	2.66.03.030544	GND bar	V1.1	1



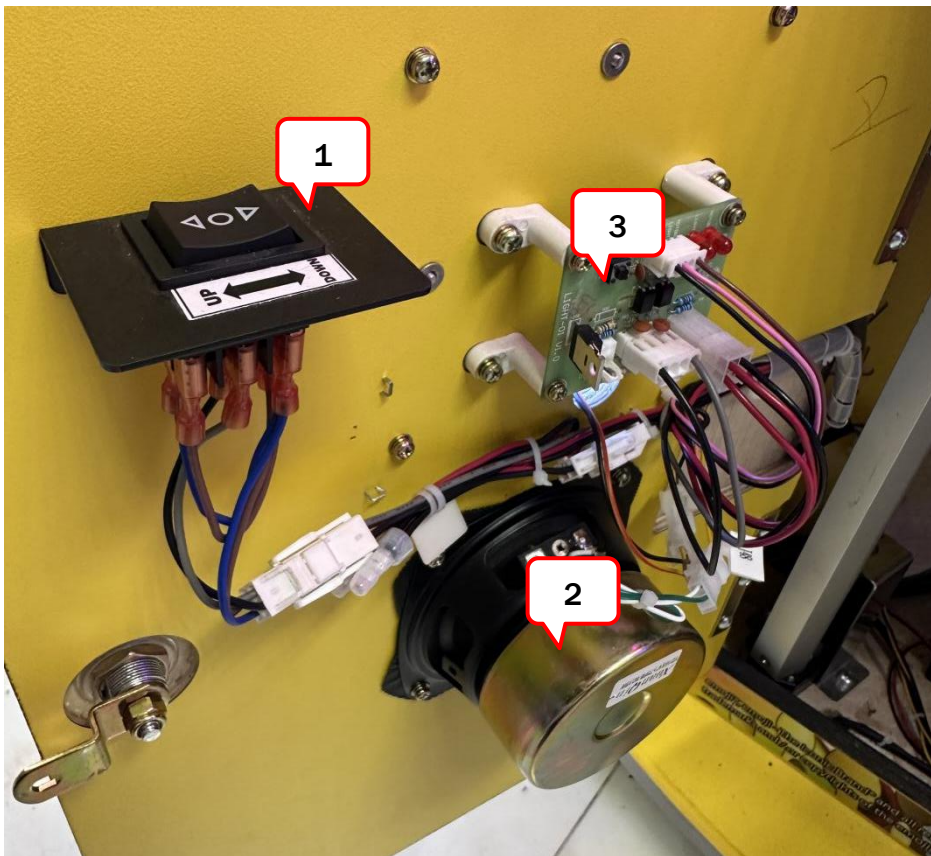
No.	Part No.	Code No.	Name	Version	Qty
1	E120-1913-00	2.16.03.000083	Adapter	V1.1	1
2	E120-1910-00	2.17.14.000243A	Fuse board	V1.1	2
3	E120-1922-00	297.6.2302003	U6 mainboard	V1.1	1
4	E120-1916-00	2.16.02.000117	Power supply(12V)	V1.1	1
5	E120-1613-00	2.66.03.030544	GND bar	V1.1	1
6	E120-1917-00	2.16.02.000105	Power supply(24V)	V1.1	1
7	E120-0705-00	2.34.14.010011	Electrical pull rod motor	V1.1	1



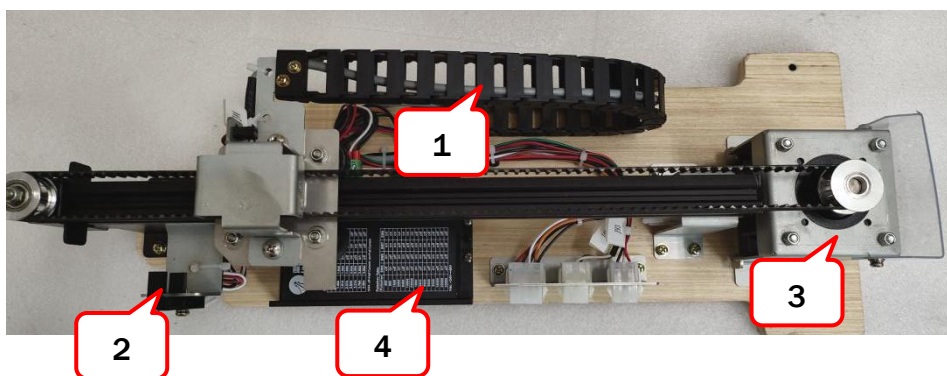
No.	Part No.	Code No.	Name	Version	Qty
1	E120-1909-00	2.28.01.000047	4" Speaker	V1.1	1
2	E120-1927-00	2.11.02.000149	PC	V1.1	1
	E120-1974-00	2.11.07.220032	PC mainboard	V1.1	1
	E120-1975-00	2.11.07.060036	Hard disk	V1.1	1
	E120-1976-00	2.11.07.030105	Video card	V1.1	1
	E120-1977-00	2.11.07.190033	CPU	V1.1	1
	E120-1978-00	2.66.01.120309	SSD	V1.1	1
	E120-1979-00	2.21.1.000052	Sending card	V1.1	1
	3	E120-1929-00	2.28.07.000003	Audio isolator	V1.1
4	E120-1926-00	2.11.07.020036	Dongle	V1.1	1
5	E120-1902-00	2.28.03.010011	Amplifier	V1.1	2
	E120-1914-00	2.33.05.000004	Audio cable	V1.1	2
6	E120-1930-00	4.13.00000012	Recovery stick	V1.1	1
7	E120-1613-00	2.66.03.030544	GND bar	V1.1	1
8	E120-1981-00	2.21.1.000053	Received card	V1.1	1



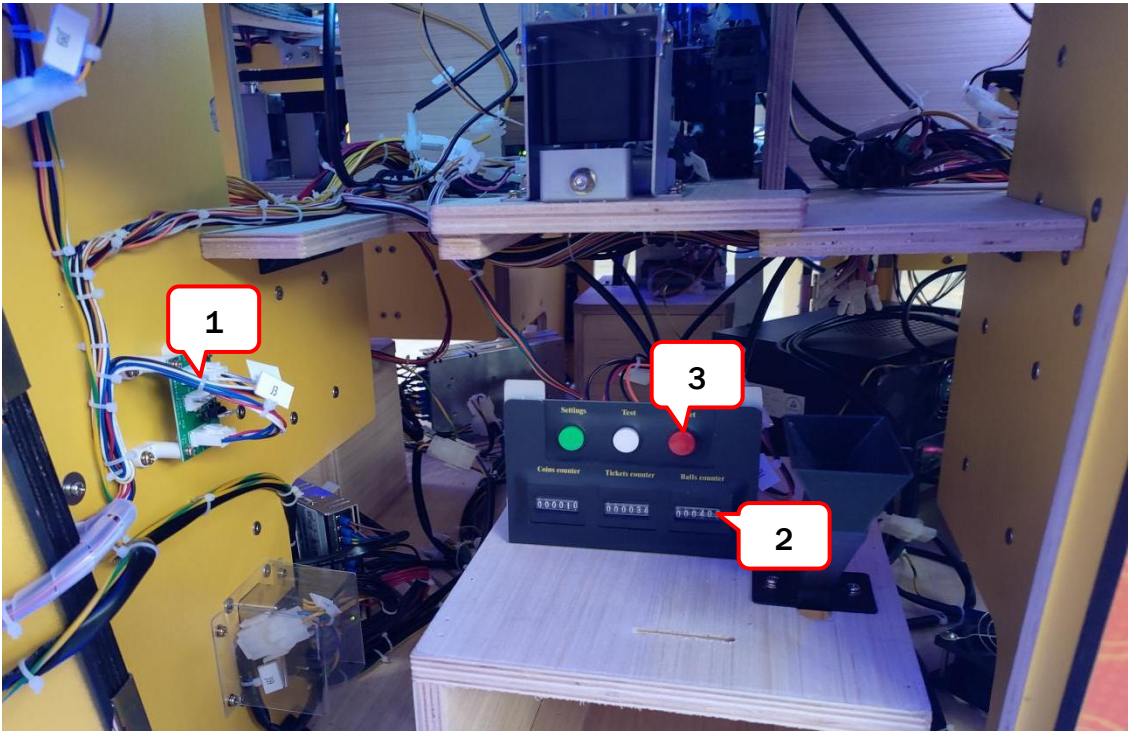
No.	Part No.	Code No.	Name	Version	Qty
1	E120-1913-00	2.16.03.000083	Adapter	V1.1	1
2	E120-1922-00	297.6.2302003	U6 mainboard	V1.1	2
3	E120-1908-00	2.27.02.050017	Fan	V1.1	1
	E120-1903-00	2.27.02.000010	Fan net	V1.1	2
4	E120-1920-00	297.6.2303002	Arrow light	V1.1	1
5	E120-1613-00	2.66.03.030544	GND bar	V1.1	1
6	E120-0705-00	2.34.14.010011	Electrical pull rod motor	V1.1	1



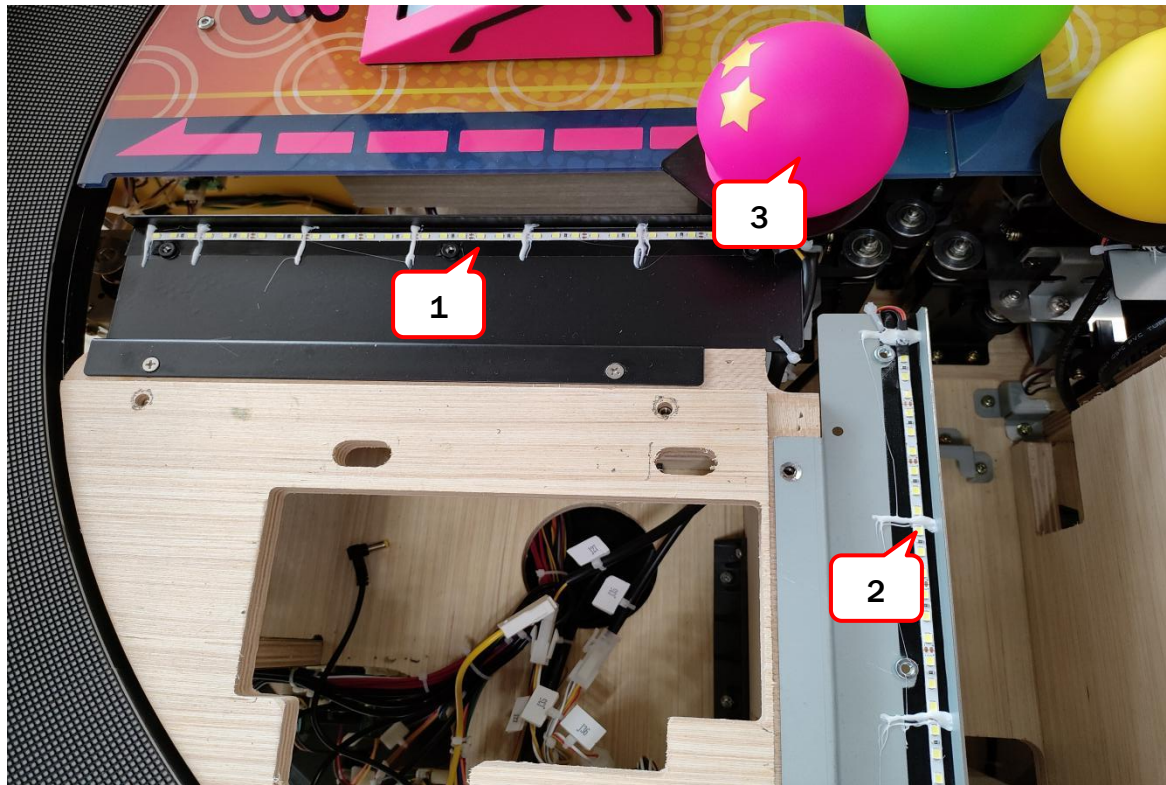
No.	Part No.	Code No.	Name	Version	Qty
1	E120-1912-00	2.26.01.000044	Up-down switch	V1.1	1
2	E120-1909-00	2.28.01.000047	4" Speaker	V1.1	1
3	E120-1921-00	297.1.1707014	Drive board	V1.1	1



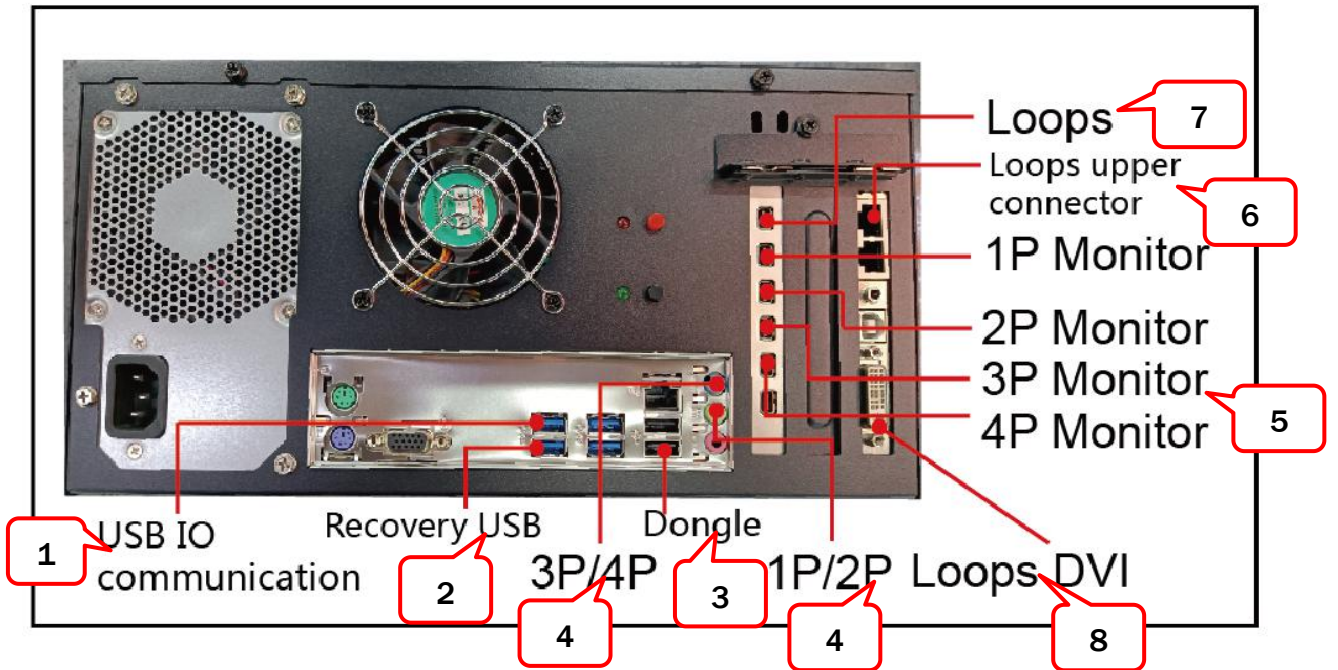
No.	Part No.	Code No.	Name	Version	Qty
1	E120-1944-00	2.65.03.070010	Chain	V1.1	1
2	E120-1705-00	2.15.03.000055	Optoelectronic switch	V1.1	1
3	E120-1643-00	2.34.06.000033	Stepping motor	V1.1	1
4	E120-1647-00	2.34.29.000009	Stepping motor driver	V1.1	1



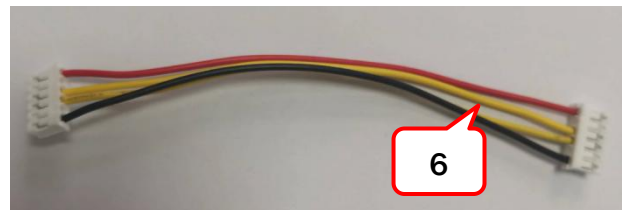
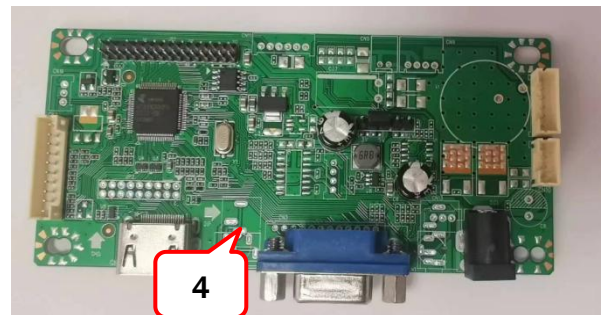
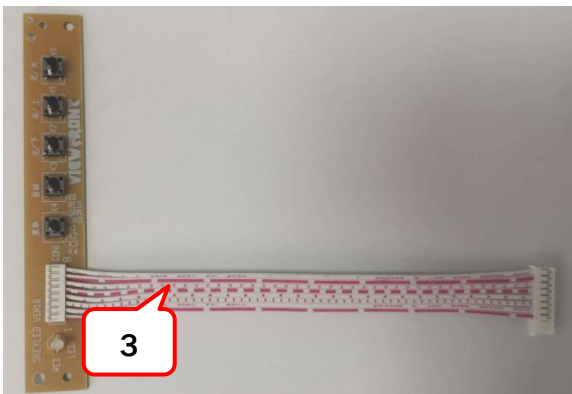
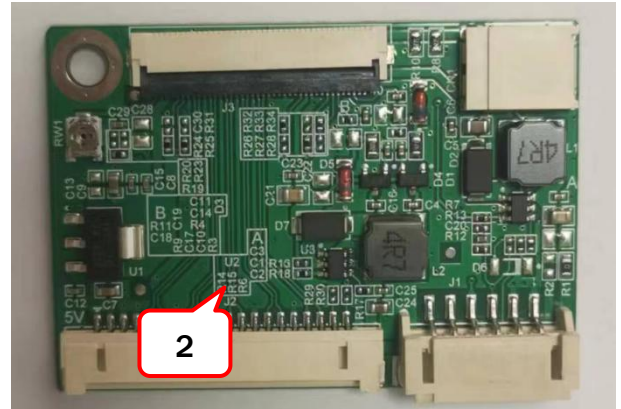
No.	Part No.	Code No.	Name	Version	Qty
1	E120-1918-00	297.9.0700002	Ticket converted board	V1.1	1
2	E120-1911-00	2.30.00000006	Counter	V1.1	3
3	E120-1904-00	2.24.02.070004	Button(green)	V1.1	1
	E120-1905-00	2.24.02.070005	Button(red)	V1.1	1
	E120-1906-00	2.24.02.070006	Button(white)	V1.1	1



No.	Part No.	Code No.	Name	Version	Qty
1	E120-1924-00	2.20.02.020056	2835 white light strip	V1.2	11.81 in×4 (300mm×4)
2	E120-1924-00	2.20.02.020056	2835 white light strip	V1.2	11.81 in×4 (300mm×4)
3	E120-1924-00	2.20.02.020056	2835 white light strip	V1.2	9.84 in×4 (250mm×4)

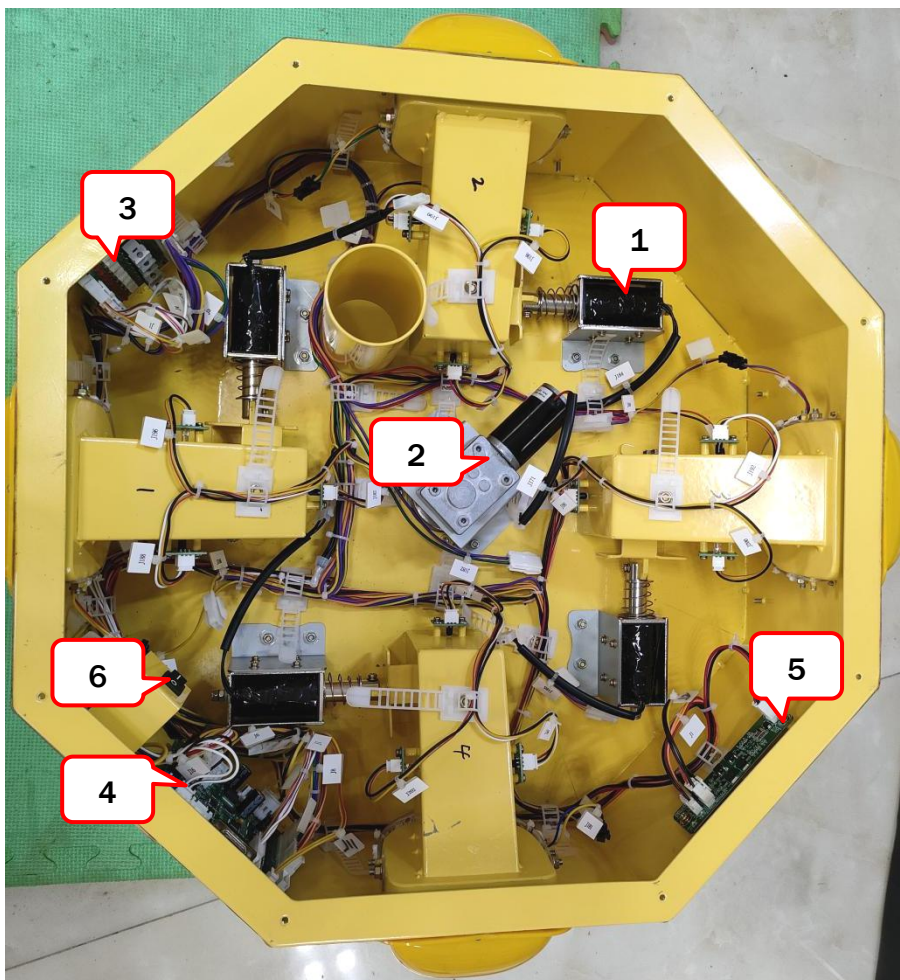


No.	Part No.	Code No.	Name	Version	Qty
1	E120-1931-00	2.14.12.020010	USB-TTL	V1.1	1
2	E120-1940-00	2.33.04.030001	Extension cable	V1.1	1
3	E120-1940-00	2.33.04.030001	Extension cable	V1.1	1
4	E120-1914-00	2.33.05.000004	Audio cable	V1.1	2
5	E120-1934-00	2.33.07.050010	DP-HDMI cable	V1.1	4
6	E120-1907-00	2.33.02.000013	Network cable	V1.1	1
7	E120-1935-00	2.33.07.050012	DP-DVI cable	V1.1	1
8	E120-1932-00	2.33.07.020026	DVI-DVI cable	V1.1	1

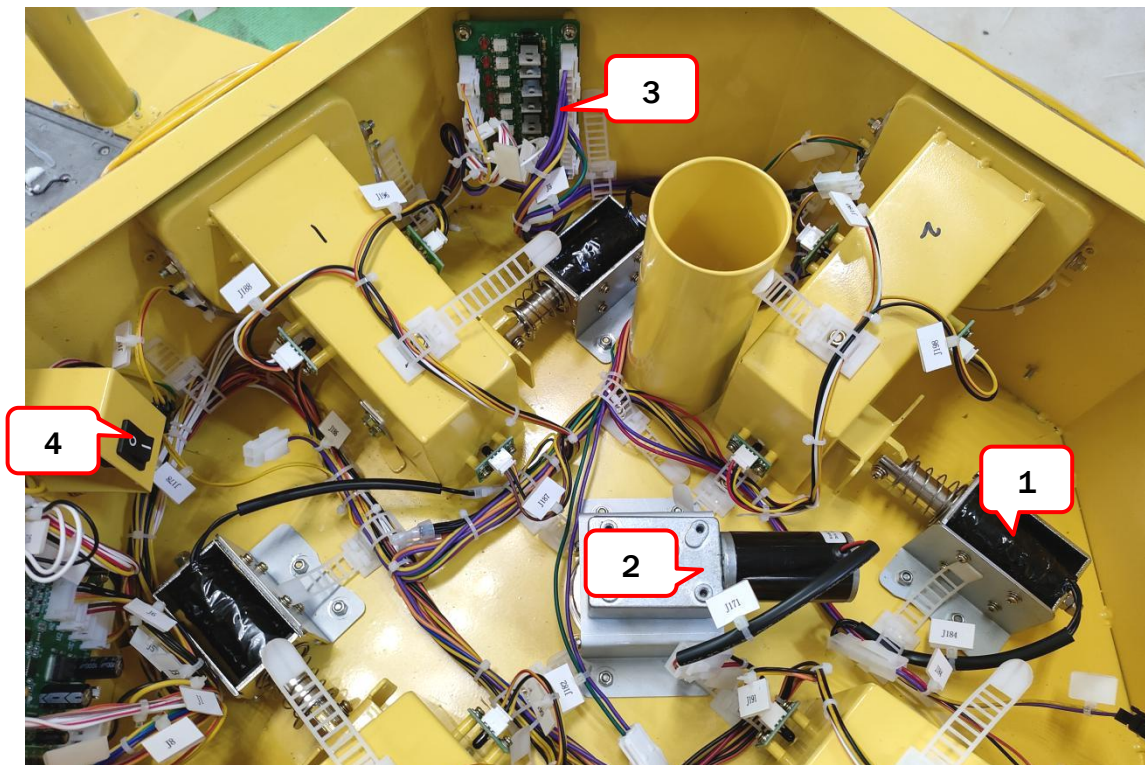


No.	Part No.	Code No.	Name	Version	Qty
1	E120-1966-00	2.12.01.000057	LCD	V1.1	1
2	E120-1967-00	2.17.12.000021	Convert board	V1.1	1
3	E120-1968-00	2.17.13.000021	5 bit key board	V1.1	1
4	E120-1970-00	2.17.03.010016	Drive board	V1.1	1
5	E120-1971-00	298.01.000986	LCD cable	V1.1	1
6	E120-1972-00	298.01.000987	Power cable	V1.1	1

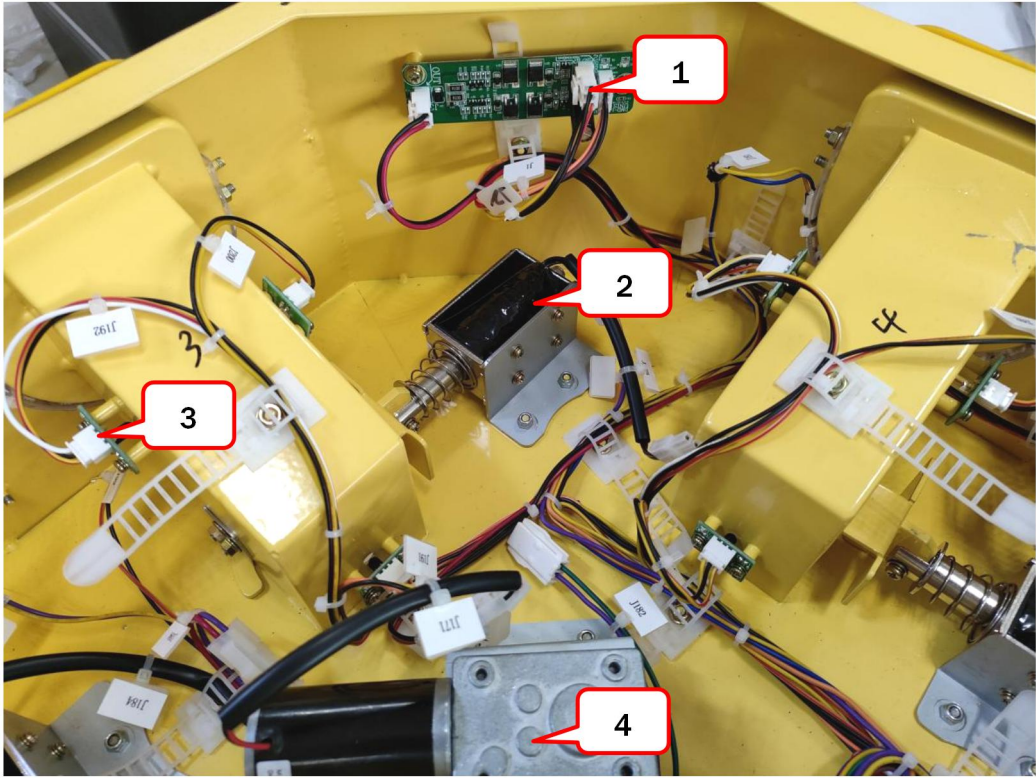
Hopper:



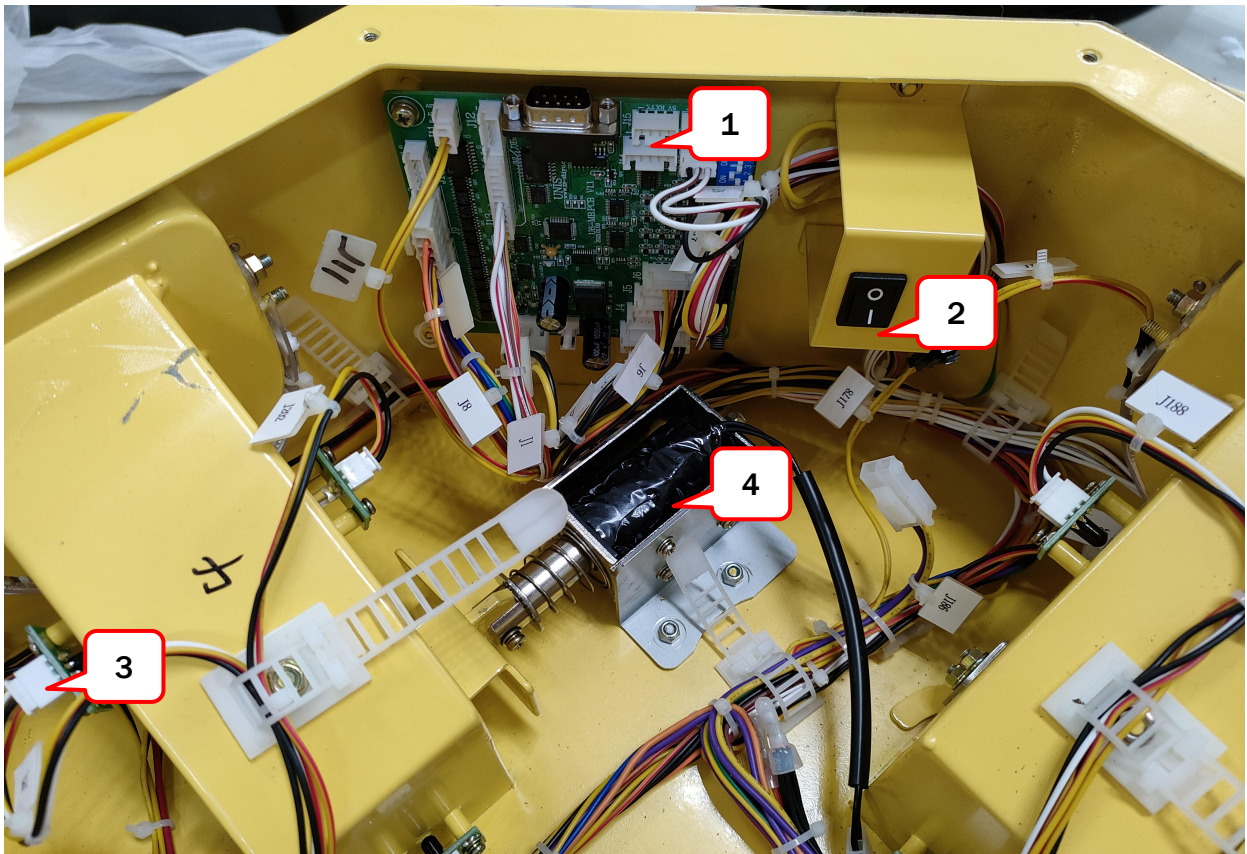
No.	Part No.	Code No.	Name	Version	Qty
1	E120-1240-00	2.35.01.050006	Solenoid	V1.1	4
2	E120-1220-00	2.34.04.000265	DC motor	V1.1	1
3	E120-1242-00	297.1.1208002	Drive board	V1.1	1
4	E120-1922-00	297.6.2302003	U6 mainboard	V1.1	1
5	E120-1250-00	297.4.1906002	Motor drive board	V1.1	1
6	E120-1243-00	2.26.01.000005	Rocket switch	V1.1	1



No.	Part No.	Code No.	Name	Version	Qty
1	E120-1240-00	2.35.01.050006	Solenoid	V1.1	4
2	E120-1220-00	2.34.04.000265	DC motor	V1.1	1
3	E120-1242-00	297.1.1208002	Drive board	V1.1	1
4	E120-1243-00	2.26.01.000005	Rocket switch	V1.1	1

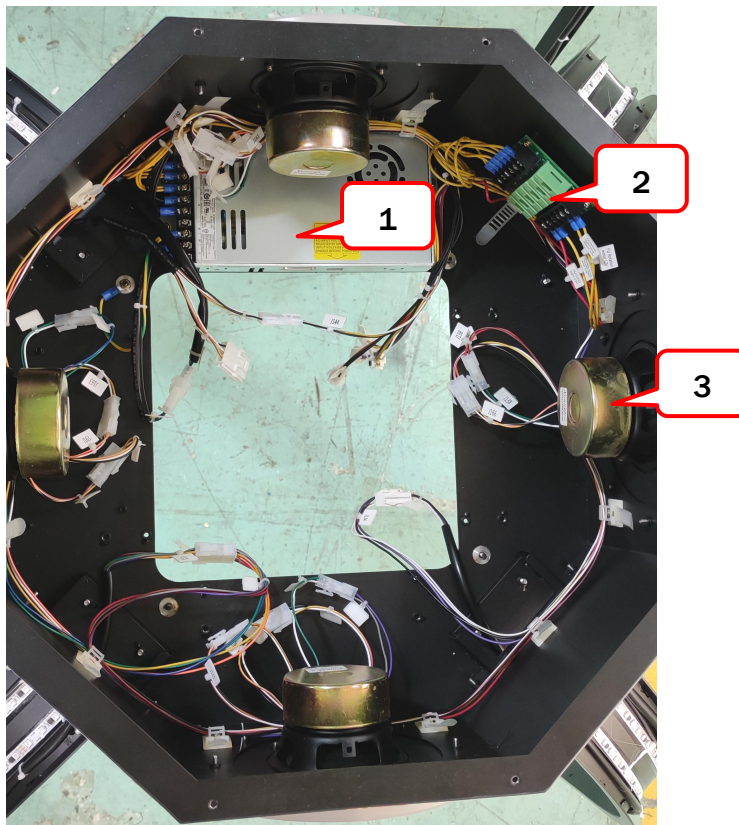


No.	Part No.	Code No.	Name	Version	Qty
1	E120-1250-00	297.4.1906002	Motor drive board	V1.1	1
2	E120-1240-00	2.35.01.050006	Solenoid	V1.1	4
3	E120-1707-00	297.9.2112002	Reflect sensor	V1.2	8
4	E120-1220-00	2.34.04.000265	DC motor	V1.1	1



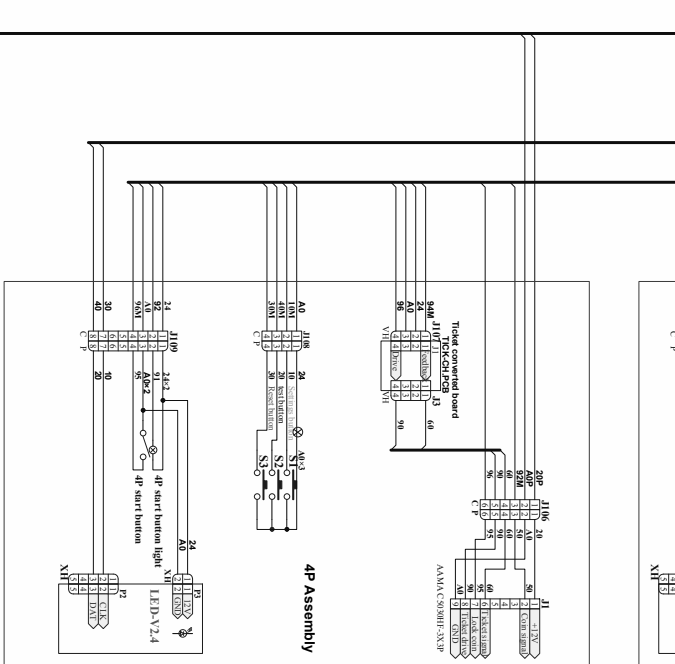
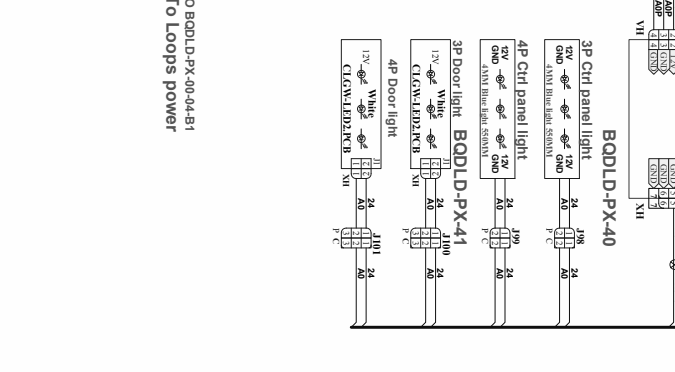
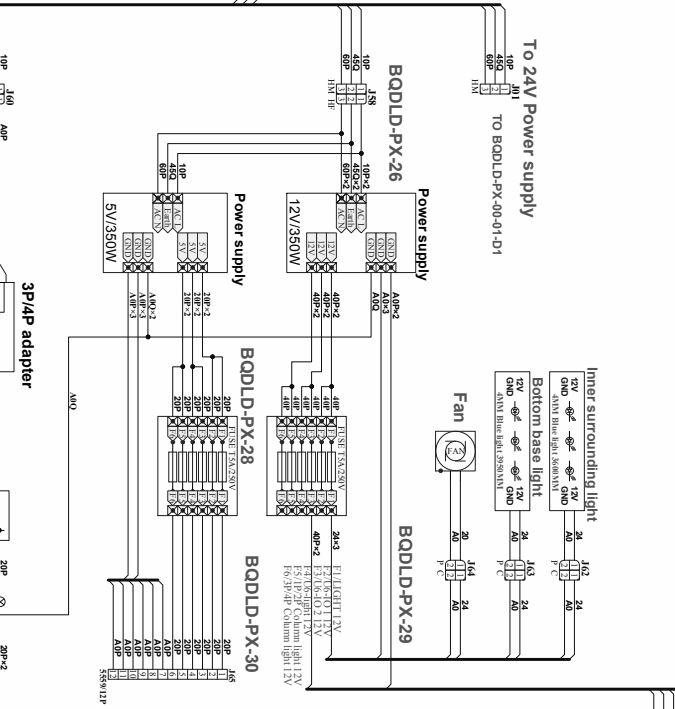
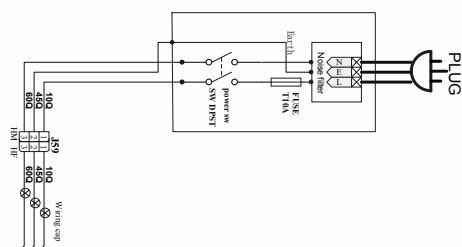
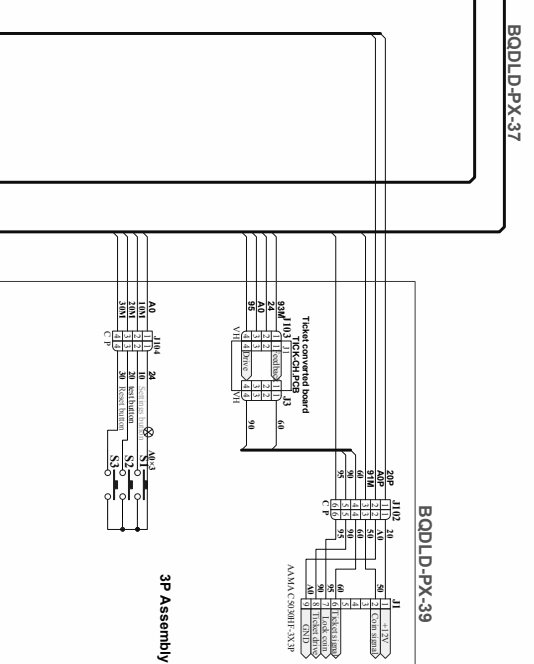
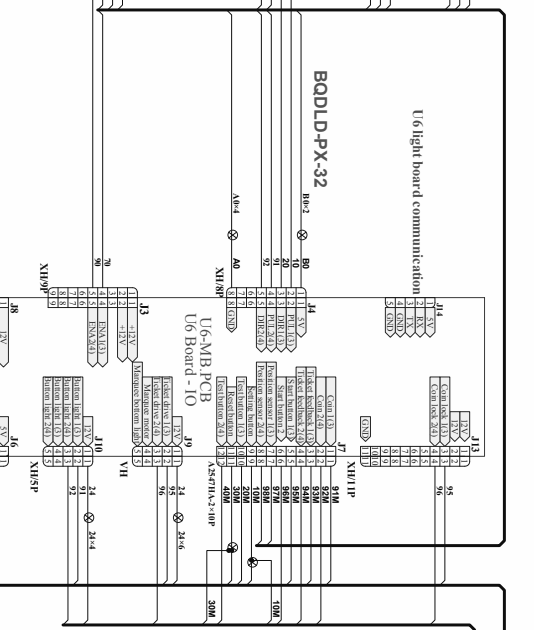
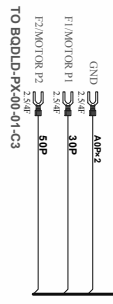
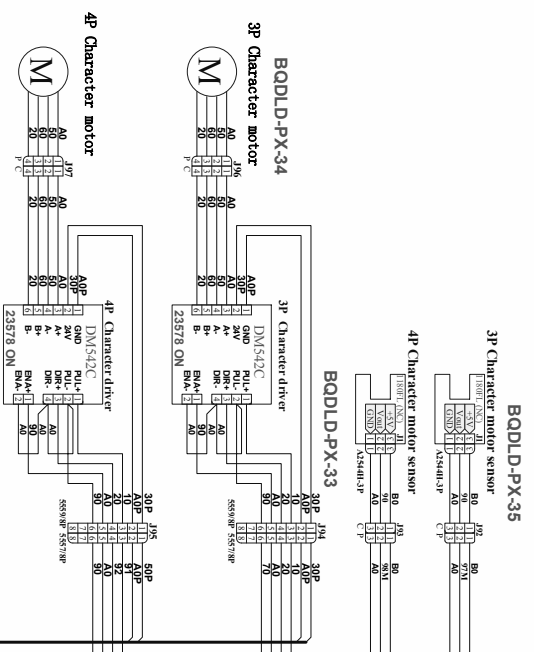
No.	Part No.	Code No.	Name	Version	Qty
1	E120-1922-00	297.6.2302003	U6 mainboard	V1.1	1
2	E120-1243-00	2.26.01.000005	Rocket switch	V1.1	1
3	E120-1707-00	297.9.2112002	Reflect sensor	V1.2	8
4	E120-1240-00	2.35.01.050006	Solenoid	V1.1	4

Top Speaker Box:



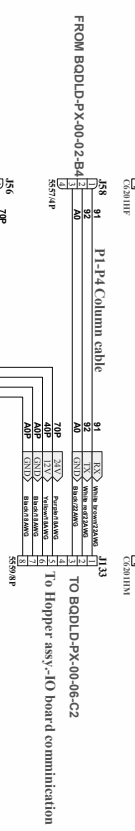
No.	Part No.	Code No.	Name	Version	Qty
1	E120-1916-00	2.16.02.000117	Power supply(12V)	V1.1	1
2	E120-1910-00	2.17.14.000243A	Fuse board	V1.1	1
3	E120-1909-00	2.28.01.000047	4" Speaker(top speaker box)	V1.2	4

www.unistechology.com

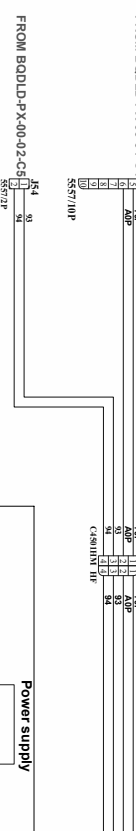


Wire color	code	Wire size	code	Unit	mm
Black	H	0.5	0.5	mm	0.5
Blue	B	0.5	0.5	mm	0.5
Green	G	0.5	0.5	mm	0.5
Red	R	0.5	0.5	mm	0.5
White	W	0.5	0.5	mm	0.5
Yellow	Y	0.5	0.5	mm	0.5
Orange	O	0.5	0.5	mm	0.5
Purple	P	0.5	0.5	mm	0.5
Brown	Br	0.5	0.5	mm	0.5
Grey	Gr	0.5	0.5	mm	0.5
Pink	Pk	0.5	0.5	mm	0.5
Light blue	Lb	0.5	0.5	mm	0.5
Light green	Lg	0.5	0.5	mm	0.5
Light red	Lr	0.5	0.5	mm	0.5
Light yellow	Ly	0.5	0.5	mm	0.5
Light orange	Lo	0.5	0.5	mm	0.5
Light purple	Lp	0.5	0.5	mm	0.5
Light brown	Lbr	0.5	0.5	mm	0.5
Light grey	Lgr	0.5	0.5	mm	0.5
Light pink	Lpk	0.5	0.5	mm	0.5
Light light blue	Llbb	0.5	0.5	mm	0.5
Light light green	Llbg	0.5	0.5	mm	0.5
Light light red	Llbr	0.5	0.5	mm	0.5
Light light yellow	Llby	0.5	0.5	mm	0.5
Light light orange	Llbo	0.5	0.5	mm	0.5
Light light purple	Llbp	0.5	0.5	mm	0.5
Light light brown	Llbr	0.5	0.5	mm	0.5
Light light grey	Llgr	0.5	0.5	mm	0.5
Light light pink	Llpk	0.5	0.5	mm	0.5
Light light light blue	Lllbb	0.5	0.5	mm	0.5
Light light light green	Lllbg	0.5	0.5	mm	0.5
Light light light red	Lllbr	0.5	0.5	mm	0.5
Light light light yellow	Lllby	0.5	0.5	mm	0.5
Light light light orange	Lllbo	0.5	0.5	mm	0.5
Light light light purple	Lllbp	0.5	0.5	mm	0.5
Light light light brown	Lllbr	0.5	0.5	mm	0.5
Light light light grey	Lllgr	0.5	0.5	mm	0.5
Light light light pink	Lllpk	0.5	0.5	mm	0.5

BQDLD-PX-44



BQDLD-PX-46



BQDLD-PX-47



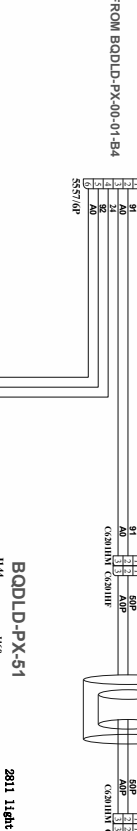
BQDLD-PX-48



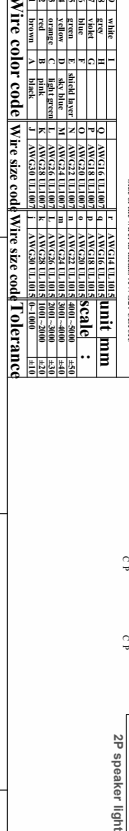
BQDLD-PX-49



BQDLD-PX-50



BQDLD-PX-51



BQDLD-PX-52



BQDLD-PX-53



BQDLD-PX-54



BQDLD-PX-55



BQDLD-PX-56



BQDLD-PX-57



BQDLD-PX-58



BQDLD-PX-59



BQDLD-PX-60



BQDLD-PX-61



BQDLD-PX-62



BQDLD-PX-63



BQDLD-PX-64



BQDLD-PX-65



BQDLD-PX-66



BQDLD-PX-67



BQDLD-PX-68



BQDLD-PX-69



BQDLD-PX-70



BQDLD-PX-71



BQDLD-PX-72



BQDLD-PX-73



BQDLD-PX-74



BQDLD-PX-75



BQDLD-PX-76



BQDLD-PX-77



BQDLD-PX-78



BQDLD-PX-79



BQDLD-PX-80



BQDLD-PX-81



BQDLD-PX-82



BQDLD-PX-83



BQDLD-PX-84



BQDLD-PX-85



BQDLD-PX-86



BQDLD-PX-87



BQDLD-PX-88



BQDLD-PX-89



BQDLD-PX-90



BQDLD-PX-91



BQDLD-PX-92



BQDLD-PX-93



BQDLD-PX-94



BQDLD-PX-95



BQDLD-PX-96



BQDLD-PX-97



BQDLD-PX-98



BQDLD-PX-99



BQDLD-PX-100



BQDLD-PX-101



BQDLD-PX-102



BQDLD-PX-103



BQDLD-PX-104



BQDLD-PX-105



BQDLD-PX-106



BQDLD-PX-107



BQDLD-PX-108



BQDLD-PX-109



BQDLD-PX-110



BQDLD-PX-111



BQDLD-PX-112



BQDLD-PX-113



BQDLD-PX-114



BQDLD-PX-115



BQDLD-PX-116

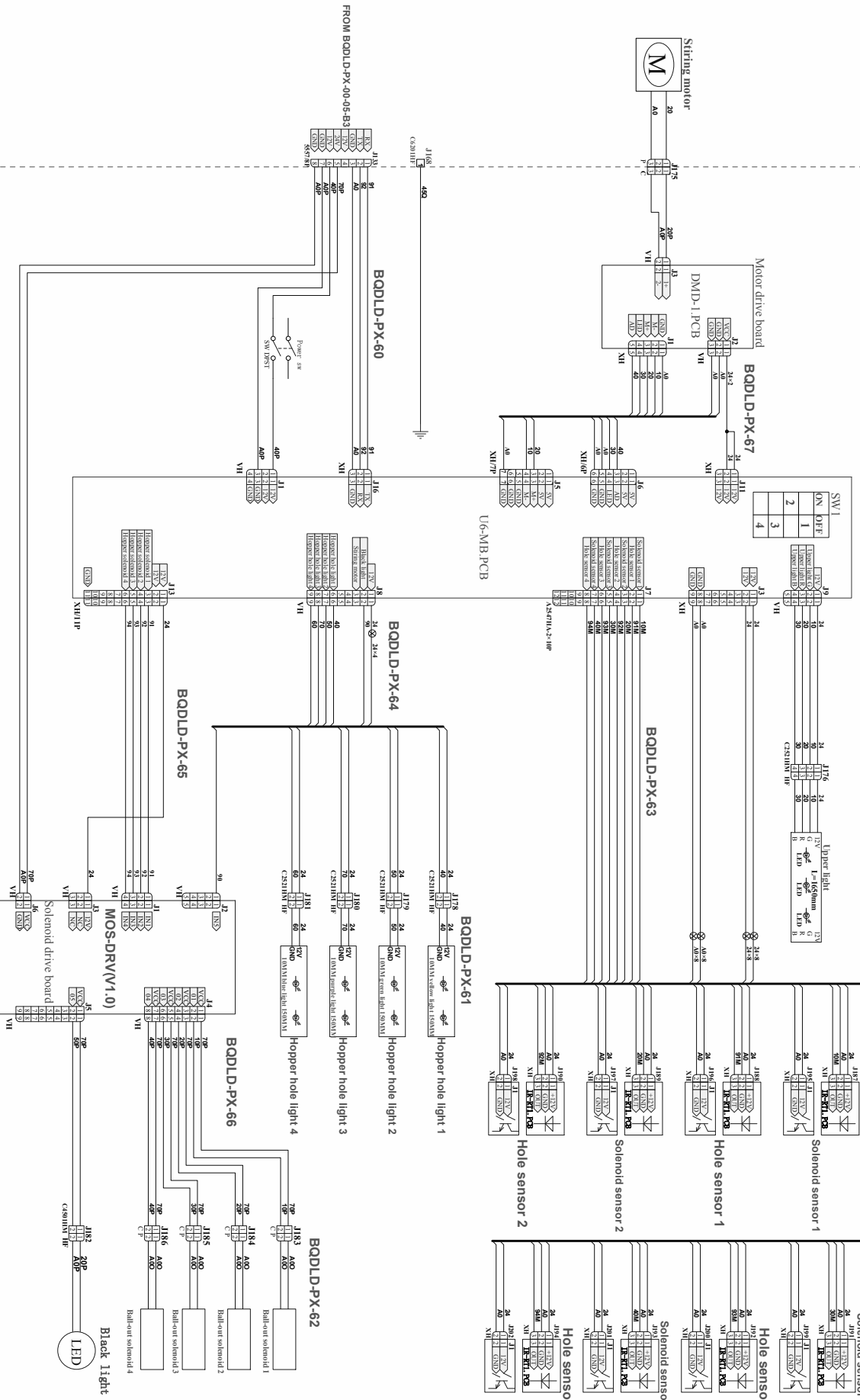


BQDLD-PX-117



<

Notice: U6 board must dial the code (2 is "ON") before power on, otherwise will damage the motor drive board.



Note: Wire color and wire size is shown in code.

Color of the wire: 2H means 2H mm

Size of the wire in mm: AVG24 (U1) 0.25

Wire color code	Wire size code	Wire size code	Tolerance
1	1	1	±0.1mm
2	2	2	±0.1mm
3	3	3	±0.1mm
4	4	4	±0.1mm
5	5	5	±0.1mm
6	6	6	±0.1mm
7	7	7	±0.1mm
8	8	8	±0.1mm
9	9	9	±0.1mm
10	10	10	±0.1mm
11	11	11	±0.1mm
12	12	12	±0.1mm
13	13	13	±0.1mm
14	14	14	±0.1mm
15	15	15	±0.1mm
16	16	16	±0.1mm
17	17	17	±0.1mm
18	18	18	±0.1mm
19	19	19	±0.1mm
20	20	20	±0.1mm
21	21	21	±0.1mm
22	22	22	±0.1mm
23	23	23	±0.1mm
24	24	24	±0.1mm
25	25	25	±0.1mm
26	26	26	±0.1mm
27	27	27	±0.1mm
28	28	28	±0.1mm
29	29	29	±0.1mm
30	30	30	±0.1mm
31	31	31	±0.1mm
32	32	32	±0.1mm
33	33	33	±0.1mm
34	34	34	±0.1mm
35	35	35	±0.1mm
36	36	36	±0.1mm
37	37	37	±0.1mm
38	38	38	±0.1mm
39	39	39	±0.1mm
40	40	40	±0.1mm
41	41	41	±0.1mm
42	42	42	±0.1mm
43	43	43	±0.1mm
44	44	44	±0.1mm
45	45	45	±0.1mm
46	46	46	±0.1mm
47	47	47	±0.1mm
48	48	48	±0.1mm
49	49	49	±0.1mm
50	50	50	±0.1mm
51	51	51	±0.1mm
52	52	52	±0.1mm
53	53	53	±0.1mm
54	54	54	±0.1mm
55	55	55	±0.1mm
56	56	56	±0.1mm
57	57	57	±0.1mm
58	58	58	±0.1mm
59	59	59	±0.1mm
60	60	60	±0.1mm
61	61	61	±0.1mm
62	62	62	±0.1mm
63	63	63	±0.1mm
64	64	64	±0.1mm
65	65	65	±0.1mm
66	66	66	±0.1mm
67	67	67	±0.1mm
68	68	68	±0.1mm
69	69	69	±0.1mm
70	70	70	±0.1mm
71	71	71	±0.1mm
72	72	72	±0.1mm
73	73	73	±0.1mm
74	74	74	±0.1mm
75	75	75	±0.1mm
76	76	76	±0.1mm
77	77	77	±0.1mm
78	78	78	±0.1mm
79	79	79	±0.1mm
80	80	80	±0.1mm
81	81	81	±0.1mm
82	82	82	±0.1mm
83	83	83	±0.1mm
84	84	84	±0.1mm
85	85	85	±0.1mm
86	86	86	±0.1mm
87	87	87	±0.1mm
88	88	88	±0.1mm
89	89	89	±0.1mm
90	90	90	±0.1mm
91	91	91	±0.1mm
92	92	92	±0.1mm
93	93	93	±0.1mm
94	94	94	±0.1mm
95	95	95	±0.1mm
96	96	96	±0.1mm
97	97	97	±0.1mm
98	98	98	±0.1mm
99	99	99	±0.1mm
100	100	100	±0.1mm

Emoil Freunz D&S Wiring Diagram (Hopper Assy.)

UNIS

Version: BQDLD-PX-00-06

Date: 2013.04.06