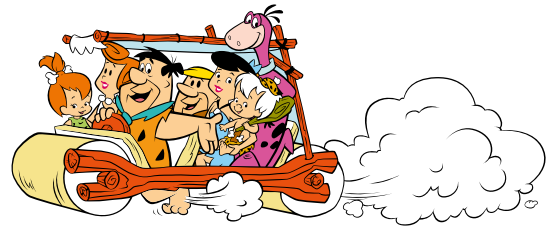


FLINTSTONES QUARRY QUEST



**PAYS OUT
TICKETS
ONLY**

ELAUT[®]



Tickets only
No cards or
chips in game
play

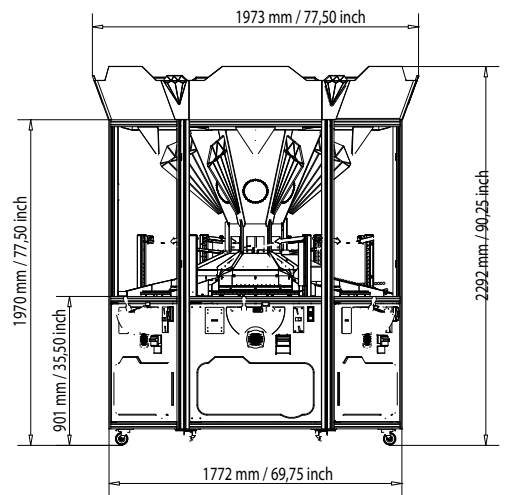
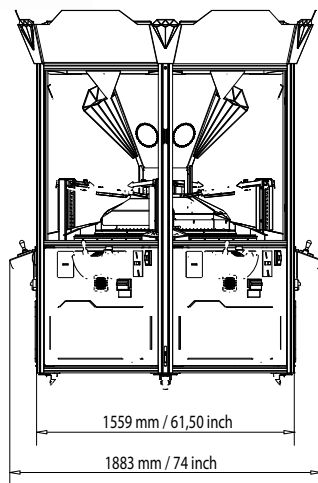
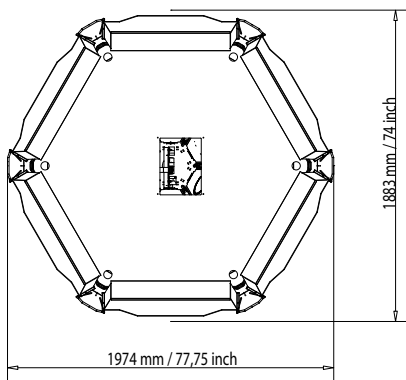
Elaut
'EMOS'
Tablet
Management
System

Unique
Player
Controlled
Features

Bill acceptor
and Card system
ready

Fully
Adjustable
LED Lighting

6 Player
Skill Ticket
Redemption
Game



Weight = 650 kg / 1433 lbs



ELAUT nv
sales@elaut.be
www.elaut.com
T +32 3 780 94 80
F +32 3 778 05 61

DISTRIBUTED BY

ELAUT USA T +1 732 494 4900
info@elautusa.com
ELAUT GERMANY T +49 6251 855 449
info@elaut.de
ELAUT SPAIN info@elaut.es
comercial@elaut.es

ELAUT reserves the right to alter specifications without prior notice. Certain features of the depicted products are protected by patent and/or design rights in several countries. The named trademarks are owned by ELAUT NV, and registered in one or more countries. The IP rights concerned can be consulted on www.elaut.com/ip